

 **MENNEKES®**

Plugs for the world



North American
Edition



Excellent brand
quality.
Innovation.
Reliability.

“I only use the highest quality
products which can withstand
the toughest conditions.”

 **MENNEKES®**

Plugs for the world



Table of contents



About us

| | |
|-----------------|---|
| Contact Us | 4 |
| Family business | 5 |



Wiring Devices 60309 - Pin and Sleeve

| | |
|---|---------|
| Product Information and Specifications | 6 - 11 |
| Receptacles and Inlets | 12 - 19 |
| Plugs and Connectors | 20 - 23 |
| Dual-Listed Receptacles, Inlets, Plugs and Connectors | 24 - 25 |
| Marine Grade, Standard and Reverse Service Devices | 26 - 27 |



Custom Power Distribution

| | |
|---|---------|
| Product Information | 28 - 31 |
| AMAXX® Receptacle Combinations | 32 - 47 |
| Portable Power Distribution | 48 |
| SpecMAXX Stainless Steel Power Distribution | 49 |



Switched and Interlocked Receptacles

| | |
|-----------------------------------|---------|
| Product Information | 50 - 51 |
| LockOUT-LET Series | 52 - 54 |
| FCB Window Series | 55 |
| HMI Series | 56 |
| SPEC Grade Stainless Steel Series | 57 |



Motor Disconnect Switches and Specialty Enclosures

| | |
|---|---------|
| Product Information | 58 - 59 |
| HDI Series; FDS Non-Metallic Series | 60 - 61 |
| SPEC Grade Stainless Steel Series; ST Stainless Steel Series | 62 - 63 |
| STF Stainless Steel Series; MS Series; FS Series | 64 - 66 |
| SPEC Grade Stainless Steel Pushbutton Enclosures and Junction Boxes | 67 |



UL 1686 Configured Switched Receptacles and Plugs

| | |
|---------------------|---------|
| Product Information | 68 - 69 |
| MSR Series | 70 - 71 |
| AM-Tite Series | 72 |



Accessories & Replacement Parts

73 - 74

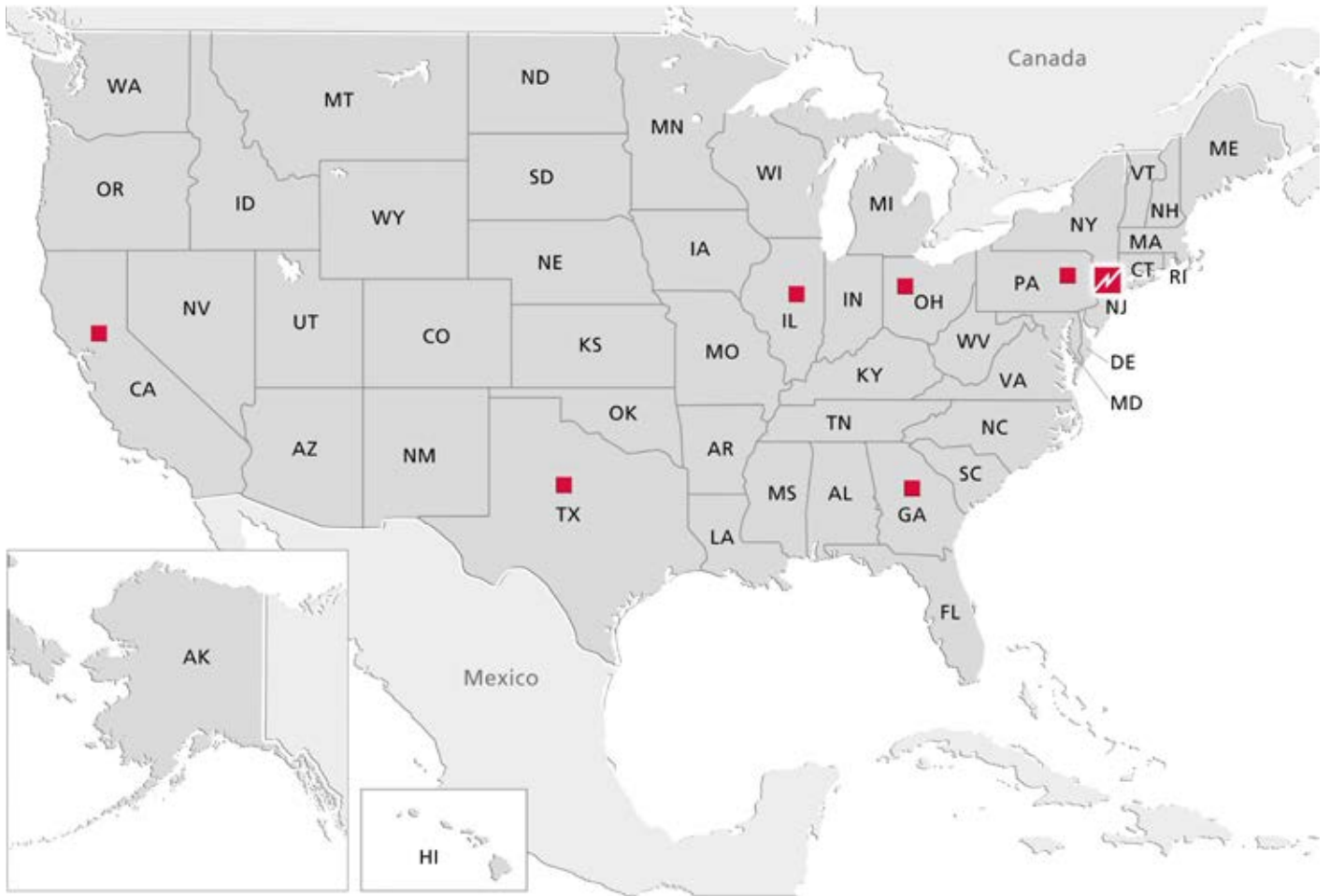


Service

| | |
|-----------------------|---------|
| Proven Quality | 75 |
| Industry Applications | 76 - 77 |
| Index | 78 - 79 |

About Us

Contact Us



MENNEKES Electrical Products

277 Fairfield Road
Fairfield, NJ 07004
Main Phone: 800-882-7584
Fax: 973-882-5585
General email: info@MENNEKES.com

To Place an Order

Domestic & International

800-882-7584
orders@MENNEKES.com

Product Pricing & Availability

Domestic & International

800-882-7584
info@MENNEKES.com

Customer Service & Technical Support

Customer Service Department

800-882-7584

About Us

Family business



MENNEKES Corporate Offices located in Kirchhundem, Germany.

MENNEKES is a family-run business. Personal relationships are the core of our business, which is why our focus has always been our customers.

At MENNEKES, a 1,000-strong global workforce produces plugs and receptacles for international markets from our two manufacturing facilities in Germany. Our headquarters is located in Kirchhundem, Germany, with a second manufacturing facility in Neudorf, located in the Erzgebirge area of Germany.

MENNEKES North America was established in 1987 and is headquartered in Fairfield, NJ, with sales offices throughout the US, Canada and Mexico.

At MENNEKES, we understand the importance of quality power distribution products that are both user-friendly and safe. MENNEKES has drawn on over 80 years of industry leading innovation to provide you with the highest quality product to meet your most demanding challenges in an ever-changing global marketplace.



From grandfather, to father, to son: What the company's founder, Aloys Mennekes, started in 1935 is continued today jointly by Walter Mennekes and his son Christopher Mennekes.



MENNEKES Electrical Products was established in the US more than 25 years ago and is still managed today by Thomas Bodnar (VP - General Manager) and Paul DiAntonio (VP - Sales & Marketing).

Wiring Devices - Series 60309 Pin and Sleeve

Product information



Unique features.
Versatile.
Safe.

Wiring Devices - Series 60309 Pin and Sleeve

Product information ■ Specifications

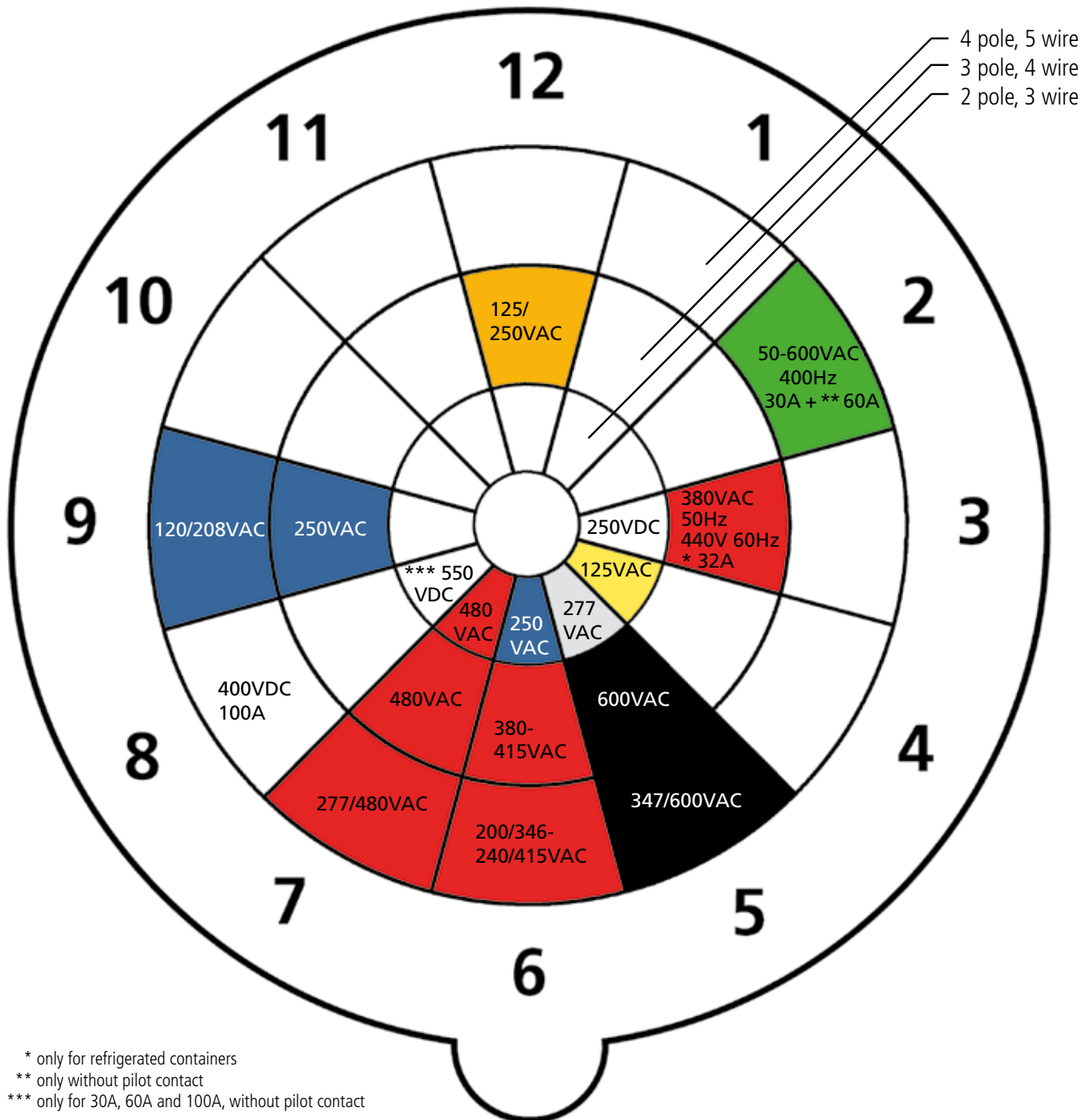
Clock positions for North America⁺

per UL 1686 C2

Making a connection is easy

A clock face is used to represent the grounding contact position for all female connectors and receptacles. With the keyway at the bottom, the female grounding contact will appear at one of the twelve hour positions. To identify the system voltage, identify the enclosure color and hour location of the connector or receptacle grounding contact.

⁺ See our full-line International Wiring Device Catalog for Series 1 International Configurations.



Wiring Devices - Series 60309 Pin and Sleeve

Product information

MENNEKES offers a wide range of Wiring Devices for various applications.

Features and benefits

Connectors

In-line connectors feature dead-front construction for safety and use split brass contact sleeves.

Molded-in-place cover gasket on 60A and 100A PowerTOP Xtra covers assures long lasting watertight seal.

Field replaceable flip lid covers and locking rings.



Same screwdriver type can be used for clamp screws and backed-out terminal screws

Color-coded housing clearly identifies device voltage, consistent with industry standard.

Contact carriers molded from high temperature thermoplastic materials.



Receptacles

Offered in compact footprint and "L" Series to match Industry Standard mounting dimensions. Oversized ground sleeve positioned to specific voltage configuration preventing mismatching of different voltages.

Wiring Devices - Series 60309 Pin and Sleeve

Product information

Plugs

In-line plugs feature non-metallic housings with locking rings and sealing gasket for UL Type 4X protection.



Inlets

Ideal for generator or motor plug interface, can be panel mounted or used with a back box. Units offered in compact footprint or "L" series to match industry standard mounting dimensions.

Wiring Devices - Series 60309 Pin and Sleeve

Product information ■ Specifications

| Ordering is easy | | | | | |
|------------------|--|--|---|--|----------------|
| ME | 4 | 20 | R | 7 | W* |
| Prefix | 1st digit | 2nd-4th digit | 1st letter | Last digit | Last letter |
| ME = MENNEKES | 3 = 3 Wire 4 = 4 Wire 5 = 5 Wire | 20 = 20 Amp. 30 = 30 Amp. 60 = 60 Amp. 100 = 100 Amp. | P = Plug C = Connector R = Receptacle B = Inlet MI = Mechanical Interlock | Clock position of female grounding contact | W = Watertight |

* Omit W for Splashproof version

| Material Specifications | | | | |
|--|---|---|---|---|
| Component Part | Receptacle | Plug | Connector | Inlet |
| Enclosure & Flange | 20A & 30A PBT/PC 60A & 100A PC/PET | | 20A & 30A Type 6 Nylon | PC/PET |
| Front Housing | 100A PC; Nylon/ABS | 20A & 30A Type 6 Nylon 60A & 100A PBT/PC and TPE Rubber and POM | 60A & 100A PBT/PC | 20A & 30A Type 6 Nylon 60A & 100A Type Nylon/ ABS |
| Back Body | | 20A & 30A Type 6 Nylon 60A & 100A PBT/PC and TPE Rubber | 60A & 100A PBT/PC and TPE Rubber and POM | |
| Contact Carrier / Support Isolators | Type 6/6 Nylon | 20A & 30A Type 6 Nylon 60A & 100A Type 6/6 Nylon | Type 6/6 Nylon | 20A & 30A Type 6 Nylon 60A & 100A Type 6/6 Nylon |
| Sleeves | Brass | | Brass | |
| Pins | | Brass Nickel Plated | | Brass Nickel Plated |
| Contact Spring on Sleeves | Steel Nickel Plated | | Steel Nickel Plated | |
| Bayonet Ring | | 20A & 30A PC/PET 60A & 100A PBT/PC and TPE Rubber | | PC/PET 100A PBT/PC |
| Bayonet Gasket | | 20A & 30A EPDM Rubber 60A & 100A TPE Rubber | | 20A & 30A EPDM Rubber 60A & 100A NBR Rubber |
| External Strain Relief | | PC/PET | PC/PET | |
| Cable Seal | | EPDM Rubber | EPDM Rubber | |
| Support Washer for Cord Grip | | Steel Zn Passivated | Steel Zn Passivated | |
| Cover | 20A & 30A Type 6 Nylon 60A & 100A PBT/PC | | 20A & 30A Type 6 Nylon 60A & 100A PBT/PC | |
| Locking Ring | 20A & 30A PBT/PC 60A & 100A PBT/PC and TPE Rubber | | 20A & 30A PBT/PC 60A & 100A PBT/PC and TPE Rubber | |
| Cover Spring | Stainless Steel | | Stainless Steel | |
| Rivet | PBT/PC | | 20A & 30A PBT/PC 60A & 100A Stainless Steel | |
| Cover Gasket | 20A & 30A NBR Rubber 60A & 100A TPE Rubber | | 20A & 30A NBR Rubber 60A & 100A TPE Rubber | |
| Flange Gasket | NR Rubber | | | NR Rubber |
| Terminal Screws | 20A & 30A Steel G3E 60A Brass and Steel Nickel Plated 100A Stainless Steel | 20A & 30A Steel G3E 60A Brass and Steel Nickel Plated 100A Stainless Steel | 20A & 30A Steel G3E 60A Brass and Steel Nickel Plated 100A Stainless Steel | 20A & 30A Steel G3E 60A Brass and Steel Nickel Plated 100A Stainless Steel |
| Assembly Screws | Stainless Steel; Steel Zn Passivated | 20A & 30A Stainless Steel | 20A & 30A Stainless Steel | Stainless Steel; Steel Zn Passivated |

Wiring Devices - Series 60309 Pin and Sleeve

Product information ■ Specifications

| Compliance & Mechanical | | | |
|--|------|-------------|------------------|
| Ⓢ Standards 1682; 1686-C2 Pin and Sleeve Type; Ⓢ to CSA 22.2 No. 182.2 Watertight: UL Type 4X | | | |
| Conforms to IEC Standards 60309-1 and 60309-2 Watertight: IP 67 per IEC 529, Splashproof: IP 54 per IEC 529 | | | |
| Flame Class Rating per UL94: V0 for Contact Carriers (insulators), HB or better for Enclosures (UV Stabilized) | | | |
| Impact Resistance: Units conditioned to -25°C for 6 hours and dropped 8 times from 30" | | | |
| Crush: Units conditioned to -25°C for 6 hours and 250 lbs. of force applied for 1 minute. | | | |
| Cable Grip Retention (applied to min. & max cable sizes) | Unit | Force, lbs. | Torque, ft. lbs. |
| | 20A | 30 | 0.4 |
| | 30A | 75 | 0.5 |
| | 60A | 150 | 1.0 |
| | 100A | 150 | 1.0 |

| Electrical | |
|--------------------------|--|
| Dielectric Voltage: | 3000V maximum |
| Maximum Working Voltage: | 600 RMS |
| Current Interrupting: | Certified at full-rated current and voltage |
| Temperature Rise: | Maximum 30°C temperature at full rated current |
| Overload: | 50 cycles at 150% of rated current and 100 % of rated voltage. (Power factor at .75-.80) |
| Endurance with Load: | (at .75-.80 Power Factor) |
| | 20A - 5,000 mated cycles at full-rated current/voltage. |
| | 30A and 60A - 2,000 mated cycles with full-rated current/voltage applied on every other cycle. |
| | 100A - 500 mated cycles with full-rated current/voltage applied on every other cycle. |

| UL Locked Rotor Horsepower Ratings | | | | | |
|------------------------------------|------------|----------------|------------|------------|------------|
| AC Voltage Rating | Horsepower | Catalog Number | | | |
| 125 | 1 | ME 320R4W | ME 320P4W | ME 320C4W | ME 320B4W |
| 250 | 2 | ME 320R6W | ME 320P6W | ME 320C6W | ME 320B6W |
| 480 | 3 | ME 320R7W | ME 320P7W | ME 320C7W | ME 320B7W |
| 125/250 | 1; 2 | ME 420R12W | ME 420P12W | ME 420C12W | ME 420B12W |
| 3Ø250 | 2 | ME 420R9W | ME 420P9W | ME 420C9W | ME 420B9W |
| 3Ø480 | 5 | ME 420R7W | ME 420P7W | ME 420C7W | ME 420B7W |
| 3Ø600 | 7.5 | ME 420R5W | ME 420P5W | ME 420C5W | ME 420B5W |
| 3ØY120/208 | 1.5 | ME 520R9W | ME 520P9W | ME 520C9W | ME 520B9W |
| 3ØY277/480 | 5 | ME 520R7W | ME 520P7W | ME 520C7W | ME 520B7W |
| 3ØY347/600 | 7.5 | ME 520R5W | ME 520P5W | ME 520C5W | ME 520B5W |
| 125 | 2 | ME 330R4W | ME 330P4W | ME 330C4W | ME 330B4W |
| 250 | 2 | ME 330R6W | ME 330P6W | ME 330C6W | ME 330B6W |
| 480 | 5 | ME 330R7W | ME 330P7W | ME 330C7W | ME 330B7W |
| 125/250 | 2 | ME 430R12W | ME 430P12W | ME 430C12W | ME 430B12W |
| 3Ø250 | 3 | ME 430R9W | ME 430P9W | ME 430C9W | ME 430B9W |
| 3Ø480 | 7.5 | ME 430R7W | ME 430P7W | ME 430C7W | ME 430B7W |
| 3Ø600 | 10 | ME 430R5W | ME 430P5W | ME 430C5W | ME 430B5W |
| 3ØY120/208 | 2 | ME 530R9W | ME 530P9W | ME 530C9W | ME 530B9W |
| 3ØY277/480 | 7.5 | ME 530R7W | ME 530P7W | ME 530C7W | ME 530B7W |
| 3ØY347/600 | 10 | ME 530R5W | ME 530P5W | ME 530C5W | ME 530B5W |
| 125 | 2 | ME 360R4W | ME 360P4W | ME 360C4W | ME 360B4W |
| 250 | 3 | ME 360R6W | ME 360P6W | ME 360C6W | ME 360B6W |
| 480 | 10 | ME 360R7W | ME 360P7W | ME 360C7W | ME 360B7W |
| 125/250 | 2; 3 | ME 460R12W | ME 460P12W | ME 460C12W | ME 460B12W |
| 3Ø250 | 7.5 | ME 460R9W | ME 460P9W | ME 460C9W | ME 460B9W |
| 3Ø480 | 15 | ME 460R7W | ME 460P7W | ME 460C7W | ME 460B7W |
| 3Ø600 | 20 | ME 460R5W | ME 460P5W | ME 460C5W | ME 460B5W |
| 3ØY120/208 | 5 | ME 560R9W | ME 560P9W | ME 560C9W | ME 560B9W |
| 3ØY277/480 | 15 | ME 560R7W | ME 560P7W | ME 560C7W | ME 560B7W |
| 3ØY347/600 | 20 | ME 560R5W | ME 560P5W | ME 560C5W | ME 560B5W |

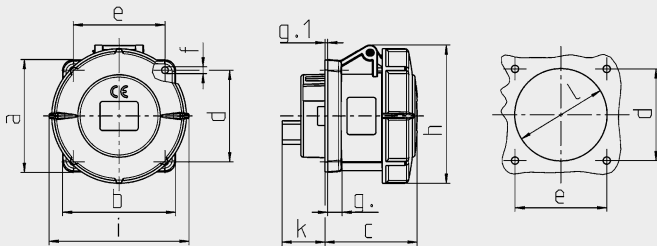
Wiring Devices - Series 60309 Pin and Sleeve

Receptacles ■ 20A ■ Watertight

Receptacles 20 Amp



For Back Box Information see page 73.

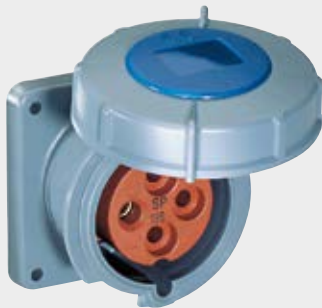


| Wire Configuration | Voltage | Catalog Number |
|--------------------|-------------------|----------------|
| 2 Pole 3 Wire | 125 | ME 320R4W |
| | 250 | ME 320R6W |
| | 480 | ME 320R7W |
| 3 Pole 4 Wire | 125/250 | ME 420R12W |
| | 3Ø250 | ME 420R9W |
| | 380/415 | ME 420R6W |
| | 3Ø480 | ME 420R7W |
| | 3Ø600 | ME 420R5W |
| 4 Pole 5 Wire | 3ØY120/208 | ME 520R9W |
| | 200/346 / 240/415 | ME 520R6W |
| | 3ØY277/480 | ME 520R7W |
| | 3ØY347/600 | ME 520R5W |

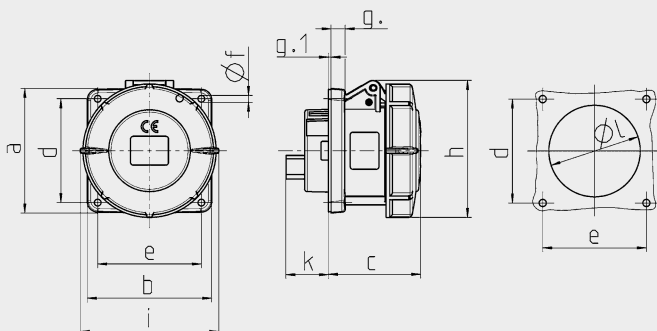
Approximate Dimensions (in inches)

| | Wire Configuration | | |
|-----|--------------------|----------------|----------------|
| | 2 Pole, 3 Wire | 3 Pole, 4 Wire | 4 Pole, 5 Wire |
| a | 3.37 | 3.37 | 3.37 |
| b | 3.37 | 3.37 | 3.37 |
| c | 2.28 | 2.28 | 2.32 |
| d | 2.74 | 2.74 | 2.74 |
| e | 2.74 | 2.74 | 2.74 |
| f | 0.22 | 0.22 | 0.22 |
| g. | 0.39 | 0.39 | 0.39 |
| g.1 | 0.08 | 0.08 | 0.08 |
| h | 3.11 | 3.47 | 3.74 |
| i | 3.07 | 3.35 | 3.50 |
| k | 1.10 | 1.10 | 1.10 |
| l | 2.76 | 2.76 | 2.76 |

Receptacles 20 Amp - Large Industry Standard Flange



For Back Box Information see page 73.



| Wire Configuration | Voltage | Catalog Number |
|--------------------|-------------------|----------------|
| 2 Pole 3 Wire | 125 | ME 320R4W-L |
| | 250 | ME 320R6W-L |
| | 480 | ME 320R7W-L |
| 3 Pole 4 Wire | 125/250 | ME 420R12W-L |
| | 3Ø250 | ME 420R9W-L |
| | 380/415 | ME 420R6W-L |
| | 3Ø480 | ME 420R7W-L |
| | 3Ø600 | ME 420R5W-L |
| 4 Pole 5 Wire | 3ØY120/208 | ME 520R9W-L |
| | 200/346 / 240/415 | ME 520R6W-L |
| | 3ØY277/480 | ME 520R7W-L |
| | 3ØY347/600 | ME 520R5W-L |

Approximate Dimensions (in inches)

| | Wire Configuration | | |
|-----|--------------------|----------------|----------------|
| | 2 Pole, 3 Wire | 3 Pole, 4 Wire | 4 Pole, 5 Wire |
| a | 3.75 | 3.75 | 3.75 |
| b | 3.75 | 3.75 | 3.75 |
| c | 2.28 | 2.28 | 2.32 |
| d | 3.16 | 3.16 | 3.16 |
| e | 3.16 | 3.16 | 3.16 |
| f | 0.22 | 0.22 | 0.22 |
| g. | 0.39 | 0.39 | 0.39 |
| g.1 | 0.08 | 0.08 | 0.08 |
| h | 3.11 | 3.47 | 3.74 |
| i | 3.07 | 3.35 | 3.50 |
| k | 1.10 | 1.10 | 1.10 |
| l | 2.76 | 2.76 | 2.76 |

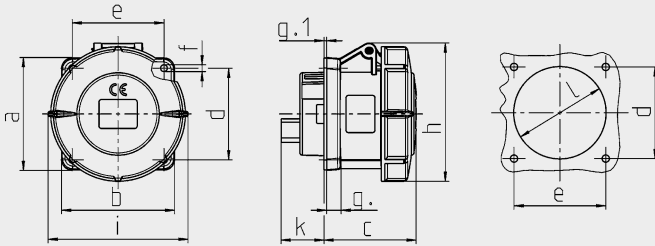
Wiring Devices - Series 60309 Pin and Sleeve

Receptacles ■ 30A ■ Watertight

Receptacles 30 Amp



For Back Box Information see page 73.



| Wire Configuration | Voltage | Catalog Number |
|--------------------|-------------------|----------------|
| 2 Pole 3 Wire | 125 | ME 330R4W |
| | 250 | ME 330R6W |
| | 480 | ME 330R7W |
| 3 Pole 4 Wire | 125/250 | ME 430R12W |
| | 3Ø250 | ME 430R9W |
| | 380/415 | ME 430R6W |
| | 3Ø480 | ME 430R7W |
| | 3Ø600 | ME 430R5W |
| 4 Pole 5 Wire | 3ØY120/208 | ME 530R9W |
| | 200/346 / 240/415 | ME 530R6W |
| | 3ØY277/480 | ME 530R7W |
| | 3ØY347/600 | ME 530R5W |

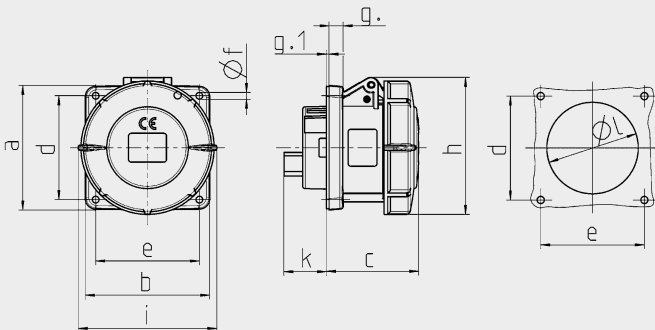
Approximate Dimensions (in inches)

| | Wire Configuration | | |
|-----|--------------------|----------------|----------------|
| | 2 Pole, 3 Wire | 3 Pole, 4 Wire | 4 Pole, 5 Wire |
| a | 3.37 | 3.37 | 3.37 |
| b | 3.37 | 3.37 | 3.37 |
| c | 2.80 | 2.80 | 2.80 |
| d | 2.74 | 2.74 | 2.74 |
| e | 2.74 | 2.74 | 2.74 |
| f | 0.22 | 0.22 | 0.22 |
| g. | 0.39 | 0.39 | 0.39 |
| g.1 | 0.08 | 0.08 | 0.08 |
| h | 3.40 | 3.40 | 4.13 |
| i | 4.06 | 4.06 | 4.33 |
| k | 1.34 | 1.34 | 1.34 |
| l | 2.76 | 2.76 | 2.76 |

Receptacles 30 Amp - Large Industry Standard Flange



For Back Box Information see page 73.



| Wire Configuration | Voltage | Catalog Number |
|--------------------|-------------------|----------------|
| 2 Pole 3 Wire | 125 | ME 330R4W-L |
| | 250 | ME 330R6W-L |
| | 480 | ME 330R7W-L |
| 3 Pole 4 Wire | 125/250 | ME 430R12W-L |
| | 3Ø250 | ME 430R9W-L |
| | 380/415 | ME 430R6W-L |
| | 3Ø480 | ME 430R7W-L |
| | 3Ø600 | ME 430R5W-L |
| 4 Pole 5 Wire | 3ØY120/208 | ME 530R9W-L |
| | 200/346 / 240/415 | ME 530R6W-L |
| | 3ØY277/480 | ME 530R7W-L |
| | 3ØY347/600 | ME 530R5W-L |

Approximate Dimensions (in inches)

| | Wire Configuration | | |
|-----|--------------------|----------------|----------------|
| | 2 Pole, 3 Wire | 3 Pole, 4 Wire | 4 Pole, 5 Wire |
| a | 3.75 | 3.75 | 3.75 |
| b | 3.75 | 3.75 | 3.75 |
| c | 2.80 | 2.80 | 2.80 |
| d | 3.16 | 3.16 | 3.16 |
| e | 3.16 | 3.16 | 3.16 |
| f | 0.22 | 0.22 | 0.22 |
| g. | 0.39 | 0.39 | 0.39 |
| g.1 | 0.08 | 0.08 | 0.08 |
| h | 3.40 | 3.40 | 4.13 |
| i | 4.06 | 4.06 | 4.33 |
| k | 1.34 | 1.34 | 1.34 |
| l | 2.76 | 2.76 | 2.76 |

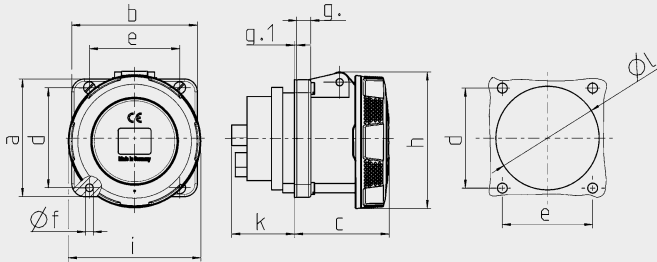
Wiring Devices - Series 60309 Pin and Sleeve

Receptacles ■ 60A ■ Watertight

Receptacles 60 Amp



* Available in splashproof. To order, omit W suffix.
For Back Box Information see page 73.



| Wire Configuration | Voltage | Catalog Number* |
|--------------------|------------|-----------------|
| 2 Pole 3 Wire | 125 | ME 360R4W |
| | 250 | ME 360R6W |
| | 480 | ME 360R7W |
| 3 Pole 4 Wire | 125/250 | ME 460R12W |
| | 3Ø250 | ME 460R9W |
| | 3Ø480 | ME 460R7W |
| | 3Ø600 | ME 460R5W |
| 4 Pole 5 Wire | 3ØY120/208 | ME 560R9W |
| | 3ØY277/480 | ME 560R7W |
| | 3ØY347/600 | ME 560R5W |

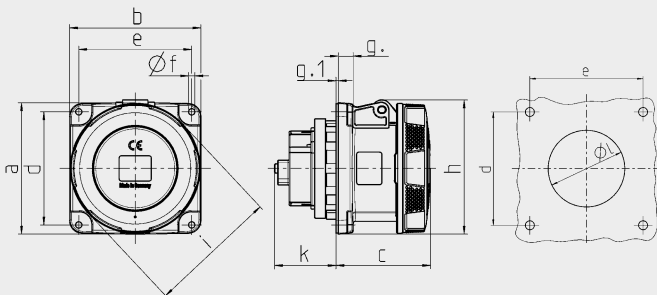
Approximate Dimensions (in inches)

| | Wire Configuration | | |
|-----|--------------------|----------------|----------------|
| | 2 Pole, 3 Wire | 3 Pole, 4 Wire | 4 Pole, 5 Wire |
| a | 4.21 | 4.21 | 4.21 |
| b | 3.94 | 3.94 | 3.94 |
| c | 3.19 | 3.19 | 3.19 |
| d | 3.35 | 3.35 | 3.35 |
| e | 3.03 | 3.03 | 3.03 |
| f | 0.24 | 0.24 | 0.24 |
| g | 0.47 | 0.47 | 0.47 |
| g.1 | 0.08 | 0.08 | 0.08 |
| h | 4.61 | 4.61 | 4.61 |
| i | 4.45 | 4.45 | 4.45 |
| k | 2.17 | 2.17 | 2.17 |
| l | 3.46 | 3.46 | 3.46 |

Receptacles 60 Amp - Large Industry Standard Flange



* Available in splashproof. To order, omit W suffix.
For Back Box Information see page 73.



| Wire Configuration | Voltage | Catalog Number* |
|--------------------|-------------------|-----------------|
| 2 Pole 3 Wire | 125 | ME 360R4W-L |
| | 250 | ME 360R6W-L |
| | 480 | ME 360R7W-L |
| 3 Pole 4 Wire | 125/250 | ME 460R12W-L |
| | 3Ø250 | ME 460R9W-L |
| | 380/415 | ME 460R6W-L |
| | 3Ø480 | ME 460R7W-L |
| 4 Pole 5 Wire | 3Ø600 | ME 460R5W-L |
| | 3ØY120/208 | ME 560R9W-L |
| | 200/346 / 240/415 | ME 560R6W-L |
| | 3ØY277/480 | ME 560R7W-L |
| | 3ØY347/600 | ME 560R5W-L |

Approximate Dimensions (in inches)

| | Wire Configuration | | |
|-----|--------------------|----------------|----------------|
| | 2 Pole, 3 Wire | 3 Pole, 4 Wire | 4 Pole, 5 Wire |
| a | 4.50 | 4.50 | 4.50 |
| b | 4.50 | 4.50 | 4.50 |
| c | 3.19 | 3.19 | 3.19 |
| d | 3.87 | 3.87 | 3.87 |
| e | 3.87 | 3.87 | 3.87 |
| f | 0.22 | 0.22 | 0.22 |
| g | 0.47 | 0.47 | 0.47 |
| g.1 | 0.08 | 0.08 | 0.08 |
| h | 4.61 | 4.61 | 4.61 |
| i | 4.45 | 4.45 | 4.45 |
| k | 2.17 | 2.17 | 2.17 |
| l | 3.46 | 3.46 | 3.46 |

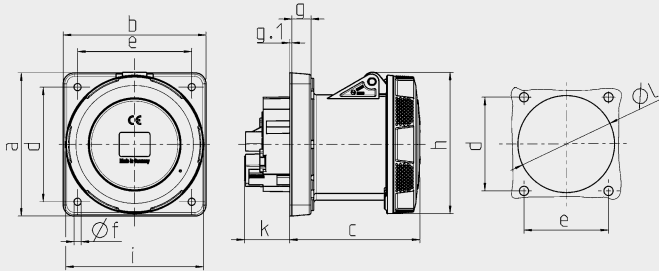
Wiring Devices - Series 60309 Pin and Sleeve

Receptacles ■ 100A ■ Watertight

Receptacles 100 Amp



For Back Box Information see page 73.



| Wire Configuration | Voltage | Catalog Number |
|--------------------|------------|----------------|
| 2 Pole 3 Wire | 125 | ME 3100R4W |
| | 250 | ME 3100R6W |
| | 480 | ME 3100R7W |
| 3 Pole 4 Wire | 125/250 | ME 4100R12W |
| | 3Ø250 | ME 4100R9W |
| | 3Ø480 | ME 4100R7W |
| | 3Ø600 | ME 4100R5W |
| 4 Pole 5 Wire | 3ØY120/208 | ME 5100R9W |
| | 3ØY277/480 | ME 5100R7W |
| | 3ØY347/600 | ME 5100R5W |

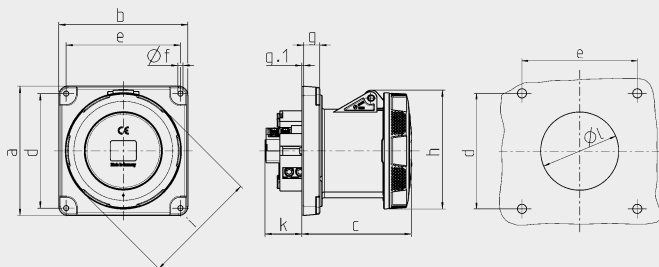
Approximate Dimensions (in inches)

| | Wire Configuration | | |
|-----|--------------------|----------------|----------------|
| | 2 Pole, 3 Wire | 3 Pole, 4 Wire | 4 Pole, 5 Wire |
| a | 5.12 | 5.12 | 5.12 |
| b | 5.12 | 5.12 | 5.12 |
| c | 4.69 | 4.69 | 4.69 |
| d | 4.09 | 4.09 | 4.09 |
| e | 4.09 | 4.09 | 4.09 |
| f | 0.26 | 0.26 | 0.26 |
| g | 0.71 | 0.71 | 0.71 |
| g.1 | 0.08 | 0.08 | 0.08 |
| h | 5.08 | 5.08 | 5.08 |
| i | 4.96 | 4.96 | 4.96 |
| k | 1.69 | 1.69 | 1.69 |
| l | 3.74 | 3.74 | 3.74 |

Receptacles 100 Amp - Large Industry Standard Flange



For Back Box Information see page 73.



| Wire Configuration | Voltage | Catalog Number |
|--------------------|-------------------|----------------|
| 2 Pole 3 Wire | 125 | ME 3100R4W-L |
| | 250 | ME 3100R6W-L |
| | 480 | ME 3100R7W-L |
| 3 Pole 4 Wire | 125/250 | ME 4100R12W-L |
| | 3Ø250 | ME 4100R9W-L |
| | 380/415 | ME 4100R6W-L |
| | 3Ø480 | ME 4100R7W-L |
| 4 Pole 5 Wire | 3Ø600 | ME 4100R5W-L |
| | 3ØY120/208 | ME 5100R9W-L |
| | 200/346 / 240/415 | ME 5100R6W-L |
| | 3ØY277/480 | ME 5100R7W-L |
| | 3ØY347/600 | ME 5100R5W-L |

Approximate Dimensions (in inches)

| | Wire Configuration | | |
|-----|--------------------|----------------|----------------|
| | 2 Pole, 3 Wire | 3 Pole, 4 Wire | 4 Pole, 5 Wire |
| a | 5.50 | 5.50 | 5.50 |
| b | 5.50 | 5.50 | 5.50 |
| c | 4.69 | 4.69 | 4.69 |
| d | 4.87 | 4.87 | 4.87 |
| e | 4.87 | 4.87 | 4.87 |
| f | 0.22 | 0.22 | 0.22 |
| g | 0.71 | 0.71 | 0.71 |
| g.1 | 0.08 | 0.08 | 0.08 |
| h | 5.08 | 5.08 | 5.08 |
| i | 4.96 | 4.96 | 4.96 |
| k | 1.69 | 1.69 | 1.69 |
| l | 3.74 | 3.74 | 3.74 |

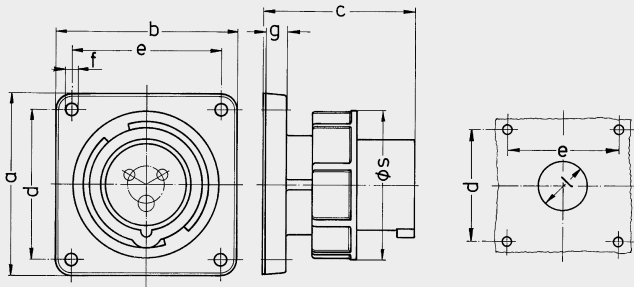
Wiring Devices - Series 60309 Pin and Sleeve

Inlets ■ 20A ■ Watertight

Inlets 20 Amp



For Back Box Information see page 73.
Adapter Mounting Plates are Available for Industry Standard Footprint.



| Wire Configuration | Voltage | Catalog Number |
|--------------------|-------------------|----------------|
| 2 Pole 3 Wire | 125 | ME 320B4W |
| | 250 | ME 320B6W |
| | 480 | ME 320B7W |
| 3 Pole 4 Wire | 125/250 | ME 420B12W |
| | 3Ø250 | ME 420B9W |
| | 380/415 | ME 420B6W |
| | 3Ø480 | ME 420B7W |
| | 3Ø600 | ME 420B5W |
| 4 Pole 5 Wire | 3ØY120/208 | ME 520B9W |
| | 200/346 / 240/415 | ME 520B6W |
| | 3ØY277/480 | ME 520B7W |
| | 3ØY347/600 | ME 520B5W |

Approximate Dimensions (in inches)

| | Wire Configuration | | |
|---|--------------------|----------------|----------------|
| | 2 Pole, 3 Wire | 3 Pole, 4 Wire | 4 Pole, 5 Wire |
| a | 3.37 | 3.37 | 3.37 |
| b | 3.37 | 3.37 | 3.37 |
| c | 2.83 | 2.83 | 2.83 |
| d | 2.74 | 2.74 | 2.74 |
| e | 2.74 | 2.74 | 2.74 |
| f | 0.22 | 0.22 | 0.22 |
| g | 0.43 | 0.43 | 0.43 |
| l | 1.26 | 1.26 | 1.85 |
| s | 2.80 | 3.11 | 3.50 |

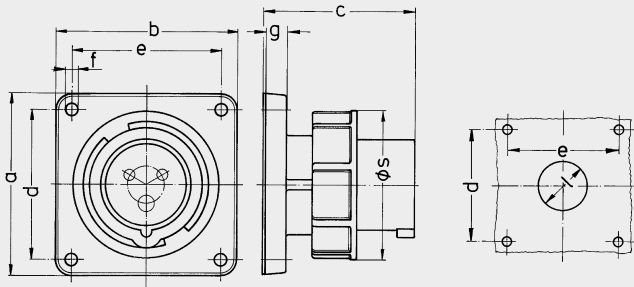
Wiring Devices - Series 60309 Pin and Sleeve

Inlets ■ 30A ■ Watertight

Inlets 30 Amp



For Back Box Information see page 73.
Adapter Mounting Plates are Available for Industry Standard Footprint.



| Wire Configuration | Voltage | Catalog Number |
|--------------------|-------------------|----------------|
| 2 Pole 3 Wire | 125 | ME 330B4W |
| | 250 | ME 330B6W |
| | 480 | ME 330B7W |
| 3 Pole 4 Wire | 125/250 | ME 430B12W |
| | 3Ø250 | ME 430B9W |
| | 380/415 | ME 430B6W |
| | 3Ø480 | ME 430B7W |
| | 3Ø600 | ME 430B5W |
| 4 Pole 5 Wire | 3ØY120/208 | ME 530B9W |
| | 200/346 / 240/415 | ME 530B6W |
| | 3ØY277/480 | ME 530B7W |
| | 3ØY347/600 | ME 530B5W |

Approximate Dimensions (in inches)

| | Wire Configuration | | |
|---|--------------------|----------------|----------------|
| | 2 Pole, 3 Wire | 3 Pole, 4 Wire | 4 Pole, 5 Wire |
| a | 3.37 | 3.37 | 3.37 |
| b | 3.37 | 3.37 | 3.37 |
| c | 3.54 | 3.54 | 3.54 |
| d | 2.74 | 2.74 | 2.74 |
| e | 2.74 | 2.74 | 2.74 |
| f | 0.22 | 0.22 | 0.22 |
| g | 0.43 | 0.43 | 0.43 |
| l | 1.85 | 1.85 | 1.85 |
| s | 3.70 | 3.70 | 4.02 |

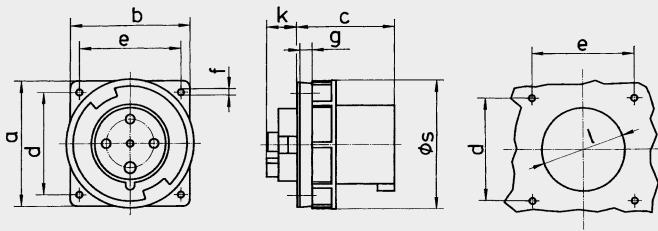
Wiring Devices - Series 60309 Pin and Sleeve

Inlets ■ 60A ■ Watertight

Inlets 60 Amp



For Back Box Information see page 73.



| Wire Configuration | Voltage | Catalog Number |
|--------------------|------------|----------------|
| 2 Pole 3 Wire | 125 | ME 360B4W |
| | 250 | ME 360B6W |
| | 480 | ME 360B7W |
| 3 Pole 4 Wire | 125/250 | ME 460B12W |
| | 3Ø250 | ME 460B9W |
| | 3Ø480 | ME 460B7W |
| | 3Ø600 | ME 460B5W |
| 4 Pole 5 Wire | 3ØY120/208 | ME 560B9W |
| | 3ØY277/480 | ME 560B7W |
| | 3ØY347/600 | ME 560B5W |

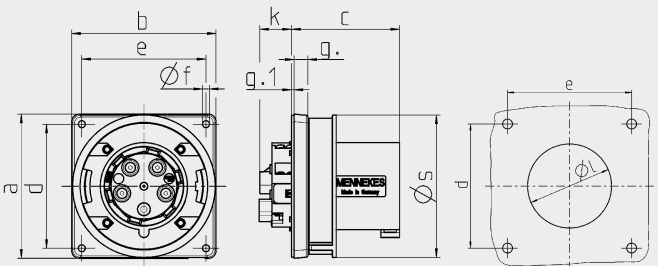
Approximate Dimensions (in inches)

| | Wire Configuration | | |
|---|--------------------|----------------|----------------|
| | 2 Pole, 3 Wire | 3 Pole, 4 Wire | 4 Pole, 5 Wire |
| a | 4.33 | 4.33 | 4.33 |
| b | 4.17 | 4.17 | 4.17 |
| c | 3.31 | 3.31 | 3.31 |
| d | 3.54 | 3.54 | 3.54 |
| e | 3.54 | 3.54 | 3.54 |
| f | 0.22 | 0.22 | 0.22 |
| g | 0.43 | 0.43 | 0.43 |
| k | 1.14 | 1.14 | 1.14 |
| l | 2.87 | 2.87 | 2.87 |
| s | 4.45 | 4.45 | 4.45 |

Inlets 60 Amp - Large Industry Standard Flange



For Back Box Information see page 73.



| Wire Configuration | Voltage | Catalog Number |
|--------------------|-------------------|----------------|
| 2 Pole 3 Wire | 125 | ME 360B4W-L |
| | 250 | ME 360B6W-L |
| | 480 | ME 360B7W-L |
| 3 Pole 4 Wire | 125/250 | ME 460B12W-L |
| | 3Ø250 | ME 460B9W-L |
| | 380/415 | ME 460B6W-L |
| | 3Ø480 | ME 460B7W-L |
| 4 Pole 5 Wire | 3Ø600 | ME 460B5W-L |
| | 3ØY120/208 | ME 560B9W-L |
| | 200/346 / 240/415 | ME 560B6W-L |
| | 3ØY277/480 | ME 560B7W-L |
| | 3ØY347/600 | ME 560B5W-L |

Approximate Dimensions (in inches)

| | Wire Configuration | | |
|-----|--------------------|----------------|----------------|
| | 2 Pole, 3 Wire | 3 Pole, 4 Wire | 4 Pole, 5 Wire |
| a | 4.50 | 4.50 | 4.50 |
| b | 4.50 | 4.50 | 4.50 |
| c | 3.39 | 3.39 | 3.39 |
| d | 3.87 | 3.87 | 3.87 |
| e | 3.87 | 3.87 | 3.87 |
| f | 0.22 | 0.22 | 0.22 |
| g | 0.47 | 0.47 | 0.47 |
| g.1 | 0.08 | 0.08 | 0.08 |
| k | 1.10 | 1.10 | 1.10 |
| l | 3.48 | 3.48 | 3.48 |
| s | 4.45 | 4.45 | 4.45 |

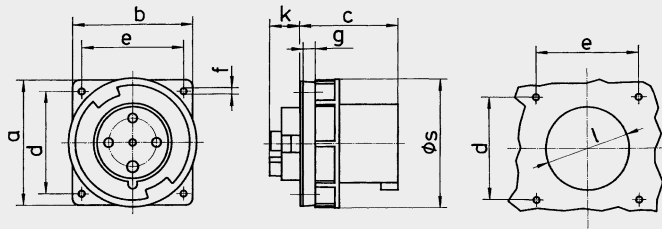
Wiring Devices - Series 60309 Pin and Sleeve

Inlets ■ 100A ■ Watertight

Inlets 100 Amp



For Back Box Information see page 73.



| Wire Configuration | Voltage | Catalog Number |
|--------------------|------------|----------------|
| 2 Pole 3 Wire | 125 | ME 3100B4W |
| | 250 | ME 3100B6W |
| | 480 | ME 3100B7W |
| 3 Pole 4 Wire | 125/250 | ME 4100B12W |
| | 3Ø250 | ME 4100B9W |
| | 3Ø480 | ME 4100B7W |
| | 3Ø600 | ME 4100B5W |
| 4 Pole 5 Wire | 3ØY120/208 | ME 5100B9W |
| | 3ØY277/480 | ME 5100B7W |
| | 3ØY347/600 | ME 5100B5W |

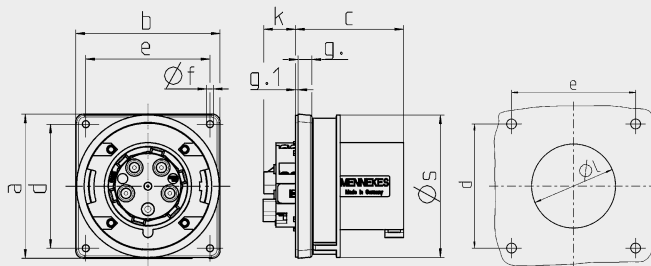
Approximate Dimensions (in inches)

| | Wire Configuration | | |
|---|--------------------|----------------|----------------|
| | 2 Pole, 3 Wire | 3 Pole, 4 Wire | 4 Pole, 5 Wire |
| a | 5.12 | 5.12 | 5.12 |
| b | 5.12 | 5.12 | 5.12 |
| c | 4.34 | 4.34 | 4.34 |
| d | 4.10 | 4.10 | 4.10 |
| e | 4.10 | 4.10 | 4.10 |
| f | 0.26 | 0.26 | 0.26 |
| g | 0.69 | 0.69 | 0.69 |
| k | 1.14 | 1.15 | 1.15 |
| l | 3.74 | 3.75 | 3.75 |
| s | 5.20 | 5.20 | 5.20 |

Inlets 100 Amp - Large Industry Standard Flange



For Back Box Information see page 73.



| Wire Configuration | Voltage | Catalog Number |
|--------------------|-------------------|----------------|
| 2 Pole 3 Wire | 125 | ME 3100B4W-L |
| | 250 | ME 3100B6W-L |
| | 480 | ME 3100B7W-L |
| 3 Pole 4 Wire | 125/250 | ME 4100B12W-L |
| | 3Ø250 | ME 4100B9W-L |
| | 380/415 | ME 4100B6W-L |
| | 3Ø480 | ME 4100B7W-L |
| 4 Pole 5 Wire | 3Ø600 | ME 4100B5W-L |
| | 3ØY120/208 | ME 5100B9W-L |
| | 200/346 / 240/415 | ME 5100B6W-L |
| | 3ØY277/480 | ME 5100B7W-L |
| | 3ØY347/600 | ME 5100B5W-L |

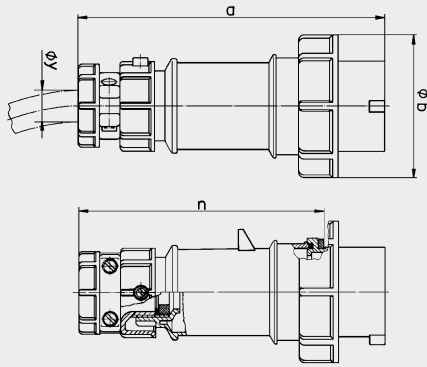
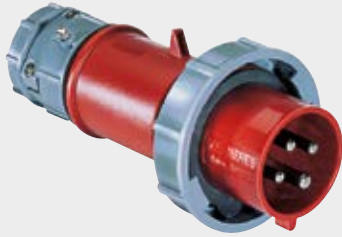
Approximate Dimensions (in inches)

| | Wire Configuration | | |
|-----|--------------------|----------------|----------------|
| | 2 Pole, 3 Wire | 3 Pole, 4 Wire | 4 Pole, 5 Wire |
| a | 5.50 | 5.50 | 5.50 |
| b | 5.50 | 5.50 | 5.50 |
| c | 4.41 | 4.41 | 4.41 |
| d | 4.88 | 4.88 | 4.88 |
| e | 4.88 | 4.88 | 4.88 |
| f | 0.22 | 0.22 | 0.22 |
| g | 0.71 | 0.71 | 0.71 |
| g.1 | 0.08 | 0.08 | 0.08 |
| k | 1.10 | 1.10 | 1.10 |
| l | 3.74 | 3.74 | 3.74 |
| s | 5.20 | 5.20 | 5.20 |

Wiring Devices - Series 60309 Pin and Sleeve

Plugs ■ 20A - 30A ■ Watertight

Plugs 20 Amp

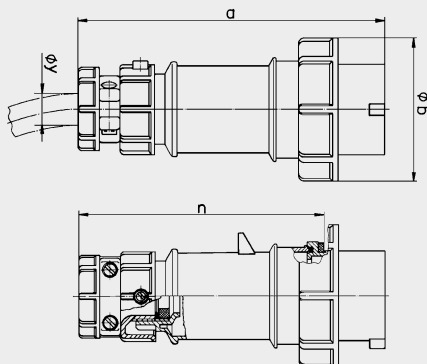


| Wire Configuration | Voltage | Catalog Number |
|--------------------|-------------------|----------------|
| 2 Pole 3 Wire | 125 | ME 320P4W |
| | 250 | ME 320P6W |
| | 480 | ME 320P7W |
| 3 Pole 4 Wire | 125/250 | ME 420P12W |
| | 3Ø250 | ME 420P9W |
| | 380/415 | ME 420P6W |
| | 3Ø480 | ME 420P7W |
| | 3Ø600 | ME 420P5W |
| 4 Pole 5 Wire | 3ØY120/208 | ME 520P9W |
| | 200/346 / 240/415 | ME 520P6W |
| | 3ØY277/480 | ME 520P7W |
| | 3ØY347/600 | ME 520P5W |

Approximate Dimensions (in inches)

| | Wire Configuration | | |
|----------------------|--------------------|----------------|----------------|
| | 2 Pole, 3 Wire | 3 Pole, 4 Wire | 4 Pole, 5 Wire |
| a | 6.40 | 6.69 | 7.28 |
| b | 2.76 | 3.07 | 3.47 |
| n | 4.96 | 5.26 | 5.97 |
| y | | | |
| Cord Diameter | .36-.76 | .36-.76 | .45-.94 |
| Threaded Entry (NPT) | 3/4 | 3/4 | 1 |

Plugs 30 Amp



| Wire Configuration | Voltage | Catalog Number |
|--------------------|-------------------|----------------|
| 2 Pole 3 Wire | 125 | ME 330P4W |
| | 250 | ME 330P6W |
| | 480 | ME 330P7W |
| 3 Pole 4 Wire | 125/250 | ME 430P12W |
| | 3Ø250 | ME 430P9W |
| | 380/415 | ME 430P6W |
| | 3Ø480 | ME 430P7W |
| | 3Ø600 | ME 430P5W |
| 4 Pole 5 Wire | 3ØY120/208 | ME 530P9W |
| | 200/346 / 240/415 | ME 530P6W |
| | 3ØY277/480 | ME 530P7W |
| | 3ØY347/600 | ME 530P5W |

Approximate Dimensions (in inches)

| | Wire Configuration | | |
|----------------------|--------------------|----------------|----------------|
| | 2 Pole, 3 Wire | 3 Pole, 4 Wire | 4 Pole, 5 Wire |
| a | 7.80 | 7.80 | 8.43 |
| b | 3.70 | 3.70 | 3.98 |
| n | 6.14 | 6.14 | 6.77 |
| y | | | |
| Cord Diameter | .43-.94 | .43-.94 | .43-1.12 |
| Threaded Entry (NPT) | 1 | 1 | 1 1/4 |

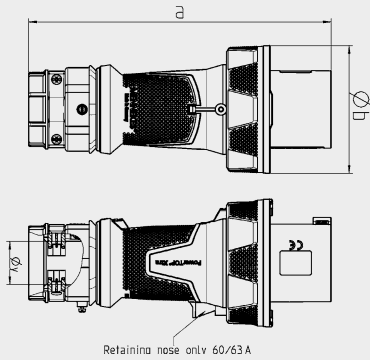
Wiring Devices - Series 60309 Pin and Sleeve

Plugs ■ 60A - 100A ■ Watertight

Plugs 60 Amp



* Available in splashproof. To order, omit W suffix.

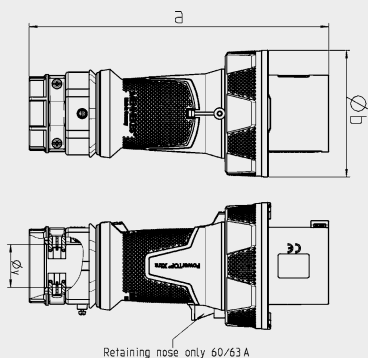


| Wire Configuration | Voltage | Catalog Number* |
|--------------------|-------------------|-----------------|
| 2 Pole 3 Wire | 125 | ME 360P4W |
| | 250 | ME 360P6W |
| | 480 | ME 360P7W |
| 3 Pole 4 Wire | 125/250 | ME 460P12W |
| | 3Ø250 | ME 460P9W |
| | 380/415 | ME 460P6W |
| | 3Ø480 | ME 460P7W |
| | 3Ø600 | ME 460P5W |
| 4 Pole 5 Wire | 3ØY120/208 | ME 560P9W |
| | 200/346 / 240/415 | ME 560P6W |
| | 3ØY277/480 | ME 560P7W |
| | 3ØY347/600 | ME 560P5W |

Approximate Dimensions (in inches)

| | Wire Configuration | | |
|----------------------------|--------------------|----------------|----------------|
| | 2 Pole, 3 Wire | 3 Pole, 4 Wire | 4 Pole, 5 Wire |
| a | | 10.6 | |
| Ø b | | 4.5 | |
| y Cord Diameter | | 0.6 - 1.45 | |
| Threaded Entry (NPT) | | 1 1/2 | |

Plugs 100 Amp



| Wire Configuration | Voltage | Catalog Number |
|--------------------|-------------------|----------------|
| 2 Pole 3 Wire | 125 | ME 3100P4W |
| | 250 | ME 3100P6W |
| | 480 | ME 3100P7W |
| 3 Pole 4 Wire | 125/250 | ME 4100P12W |
| | 3Ø250 | ME 4100P9W |
| | 380/415 | ME 4100P6W |
| | 3Ø480 | ME 4100P7W |
| | 3Ø600 | ME 4100P5W |
| 4 Pole 5 Wire | 3ØY120/208 | ME 5100P9W |
| | 200/346 / 240/415 | ME 5100P6W |
| | 3ØY277/480 | ME 5100P7W |
| | 3ØY347/600 | ME 5100P5W |

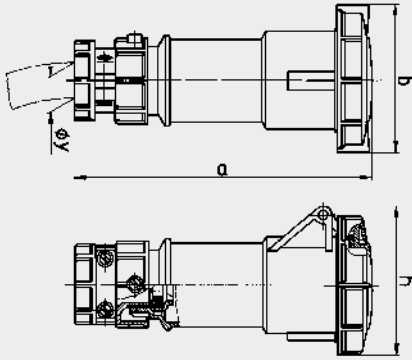
Approximate Dimensions (in inches)

| | Wire Configuration | | |
|----------------------------|--------------------|----------------|----------------|
| | 2 Pole, 3 Wire | 3 Pole, 4 Wire | 4 Pole, 5 Wire |
| a | | 12.1 | |
| Ø b | | 5.1 | |
| y Cord Diameter | | 0.96 - 1.92 | |
| Threaded Entry (NPT) | | 2 | |

Wiring Devices - Series 60309 Pin and Sleeve

Connectors ■ 20A - 30A ■ Watertight

Connectors 20 Amp

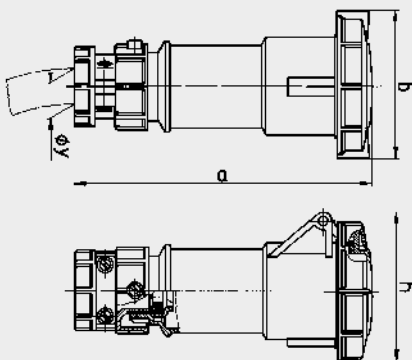


| Wire Configuration | Voltage | Catalog Number |
|--------------------|-------------------|----------------|
| 2 Pole 3 Wire | 125 | ME 320C4W |
| | 250 | ME 320C6W |
| | 480 | ME 320C7W |
| 3 Pole 4 Wire | 125/250 | ME 420C12W |
| | 3Ø250 | ME 420C9W |
| | 380/415 | ME 420C6W |
| | 3Ø480 | ME 420C7W |
| | 3Ø600 | ME 420C5W |
| 4 Pole 5 Wire | 3ØY120/208 | ME 520C9W |
| | 200/346 / 240/415 | ME 520C6W |
| | 3ØY277/480 | ME 520C7W |
| | 3ØY347/600 | ME 520C5W |

Approximate Dimensions (in inches)

| | Wire Configuration | | |
|----------------------------|--------------------|----------------|----------------|
| | 2 Pole, 3 Wire | 3 Pole, 4 Wire | 4 Pole, 5 Wire |
| a | 6.85 | 7.28 | 7.92 |
| b | 2.84 | 3.11 | 3.47 |
| h | 3.11 | 3.47 | 3.74 |
| y Cord Diameter | .36-.76 | .36-.76 | .45-.94 |
| Threaded Entry (NPT) | 3/4 | 3/4 | 1 |

Connectors 30 Amp



| Wire Configuration | Voltage | Catalog Number |
|--------------------|-------------------|----------------|
| 2 Pole 3 Wire | 125 | ME 330C4W |
| | 250 | ME 330C6W |
| | 480 | ME 330C7W |
| 3 Pole 4 Wire | 125/250 | ME 430C12W |
| | 3Ø250 | ME 430C9W |
| | 380/415 | ME 430C6W |
| | 3Ø480 | ME 430C7W |
| | 3Ø600 | ME 430C5W |
| 4 Pole 5 Wire | 3ØY120/208 | ME 530C9W |
| | 200/346 / 240/415 | ME 530C6W |
| | 3ØY277/480 | ME 530C7W |
| | 3ØY347/600 | ME 530C5W |

Approximate Dimensions (in inches)

| | Wire Configuration | | |
|----------------------------|--------------------|----------------|----------------|
| | 2 Pole, 3 Wire | 3 Pole, 4 Wire | 4 Pole, 5 Wire |
| a | 8.78 | 8.78 | 9.18 |
| b | 3.78 | 3.78 | 4.02 |
| n | 3.90 | 3.90 | 4.17 |
| y Cord Diameter | .43-.94 | .43-.94 | .43-1.12 |
| Threaded Entry (NPT) | 1 | 1 | 1 1/4 |

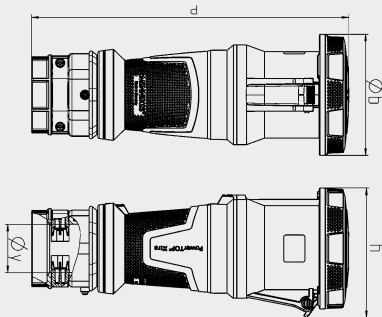
Wiring Devices - Series 60309 Pin and Sleeve

Connectors ■ 60A - 100A ■ Watertight

Connectors 60 Amp



* Available in splashproof. To order, omit W suffix.

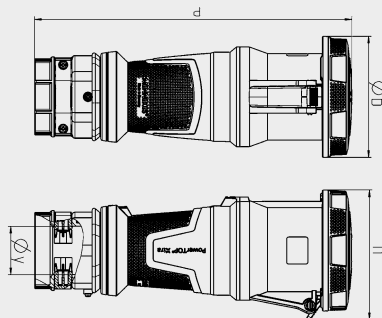


| Wire Configuration | Voltage | Catalog Number* |
|--------------------|-------------------|-----------------|
| 2 Pole 3 Wire | 125 | ME 360C4W |
| | 250 | ME 360C6W |
| | 480 | ME 360C7W |
| 3 Pole 4 Wire | 125/250 | ME 460C12W |
| | 3Ø250 | ME 460C9W |
| | 380/415 | ME 460C6W |
| | 3Ø480 | ME 460C7W |
| | 3Ø600 | ME 460C5W |
| 4 Pole 5 Wire | 3ØY120/208 | ME 560C9W |
| | 200/346 / 240/415 | ME 560C6W |
| | 3ØY277/480 | ME 560C7W |
| | 3ØY347/600 | ME 560C5W |

Approximate Dimensions (in inches)

| | Wire Configuration | | |
|----------------------|--------------------|----------------|----------------|
| | 2 Pole, 3 Wire | 3 Pole, 4 Wire | 4 Pole, 5 Wire |
| a | | 11.6 | |
| Ø b | | 4.5 | |
| h | | 4.85 | |
| y | | 0.6 - 1.45 | |
| Cord Diameter | | | |
| Threaded Entry (NPT) | | 1 1/2 | |

Connectors 100 Amp



| Wire Configuration | Voltage | Catalog Number |
|--------------------|-------------------|----------------|
| 2 Pole 3 Wire | 125 | ME 3100C4W |
| | 250 | ME 3100C6W |
| | 480 | ME 3100C7W |
| 3 Pole 4 Wire | 125/250 | ME 4100C12W |
| | 3Ø250 | ME 4100C9W |
| | 380/415 | ME 4100C6W |
| | 3Ø480 | ME 4100C7W |
| | 3Ø600 | ME 4100C5W |
| 4 Pole 5 Wire | 3ØY120/208 | ME 5100C9W |
| | 200/346 / 240/415 | ME 5100C6W |
| | 3ØY277/480 | ME 5100C7W |
| | 3ØY347/600 | ME 5100C5W |

Approximate Dimensions (in inches)


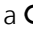
| | Wire Configuration | | |
|----------------------|--------------------|----------------|----------------|
| | 2 Pole, 3 Wire | 3 Pole, 4 Wire | 4 Pole, 5 Wire |
| a | | 13 | |
| Ø b | | 5 | |
| h | | 5.3 | |
| y | | 0.96 - 1.92 | |
| Cord Diameter | | | |
| Threaded Entry (NPT) | | 2 | |

Wiring Devices - Series 60309 Pin and Sleeve

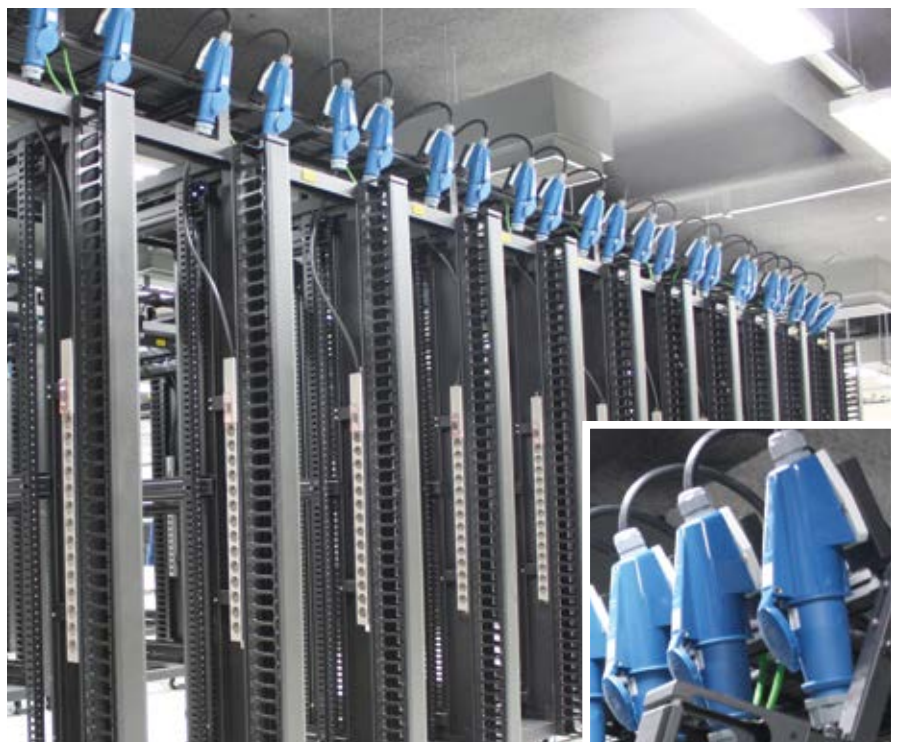
Dual-Listed ■ Receptacles, Plugs and Connectors ■ ; ; 6h ■ Watertight

Dual-Listed Wiring Devices – 30A-100A / 32A-125A

The MENNEKES range of DUAL CERTIFIED Pin & Sleeve devices have agency approval for use in North America, European and International markets. One device fulfills multiple electrical needs to satisfy global equipment requirements for data centers and server equipment applications.

 Listed to UL1682/1686 and CSA 22.2 181.1, these products are also  Certified and have a  mark. Dual-Listed configurations are rated 30/32A, 60/63A and 100/125A – Offered in 3-Pole 4 wire and 4-Pole 5 wire in the 6 o'clock ground contact position, this range is fully intermateable with like-rate devices from other manufactures to support universal installation requirements.

MENNEKES Plugs and Connectors have threaded NPT cable entry for direct installation of flexible conduit fittings; costly adaptor fittings are not required. PowerTOP Xtra 60/63A and 100/125A parts feature Valox V-O rated threaded housing with a thermoplastic elastomer finish to enhance handling and facilitate installation. All devices are RoHS compliant with UL Type 4X and IP67 Rating. IP44 Weatherproof devices are also available upon request.



Wiring Devices - Series 60309 Pin and Sleeve

Dual-Listed ■ Receptacles, Plugs and Connectors ■ ; ; 6h ■ Watertight

Receptacles 30 Amp - 100 Amp / 32 Amp - 125 Amp



Dimension:
30/32A see page 13
60/63A see page 14
100/125A see page 15

| Wire Configuration | AMP | Voltage | Catalog Number |
|--------------------|---------|--------------------|----------------|
| 3 Pole 4 Wire | 30/32 | 380/415 | ME 430R6W-L |
| 4 Pole 5 Wire | | 200/346 240/415 | ME 530R6W-L |
| 3 Pole 4 Wire | 60/63 | 380/415 | ME 460R6W-L |
| 4 Pole 5 Wire | | 200/346 240/415 | ME 560R6W-L |
| 3 Pole 4 Wire | 100/125 | 380/415 | ME 4100R6W-L |
| 4 Pole 5 Wire | | 200/346 240/415 | ME 5100R6W-L |

Large Industry Standard Flange coming soon

Plugs 30 Amp - 100 Amp / 32 Amp - 125 Amp



60/63A and 100/125A Plugs: Pilot contact Standard.
* Available in splashproof. To order, omit W suffix.

Dimension:
30/32A see page 20
60/63A see page 21
100/125A see page 21

| Wire Configuration | AMP | Voltage | Catalog Number |
|--------------------|---------|--------------------|-------------------|
| 3 Pole 4 Wire | 30/32 | 380/415 | ME 430P6W |
| 4 Pole 5 Wire | | 200/346 240/415 | ME 530P6W |
| 3 Pole 4 Wire | 60/63 | 380/415 | ME 460P6W-62334C* |
| 4 Pole 5 Wire | | 200/346 240/415 | ME 560P6W-62335C* |
| 3 Pole 4 Wire | 100/125 | 380/415 | ME 4100P6W-62340C |
| 4 Pole 5 Wire | | 200/346 240/415 | ME 5100P6W-62357C |

Connectors 30 Amp - 100 Amp / 32 Amp - 125 Amp



* Available in splashproof. To order, omit W suffix.

Dimension:
30/32A see page 22
60/63A see page 23
100/125A see page 23

| Wire Configuration | AMP | Voltage | Catalog Number |
|--------------------|---------|--------------------|----------------|
| 3 Pole 4 Wire | 30/32 | 380/415 | ME 430C6W |
| 4 Pole 5 Wire | | 200/346 240/415 | ME 530C6W |
| 3 Pole 4 Wire | 60/63 | 380/415 | ME 460C6W* |
| 4 Pole 5 Wire | | 200/346 240/415 | ME 560C6W* |
| 3 Pole 4 Wire | 100/125 | 380/415 | ME 4100C6W |
| 4 Pole 5 Wire | | 200/346 240/415 | ME 5100C6W |

Wiring Devices - Series 60309 Pin and Sleeve

Marine Grade ■ Inlets and Connectors ■ 100A / Reverse Service Devices ■ Watertight

Marine Grade 100A Ship to Shore Range

MENNEKES offers 100A Wiring Devices designed to comply with American Boat and Yacht Council standards. Select standard configuration units with PowerTOP Xtra plug and connector housings.

Reverse Service devices are suited for "On-Board" service requirements. Marine Grade watertight pin & sleeve wiring devices withstand harsh corrosive marine environments with stainless steel hardware, terminal screws and nickel plated machined contacts.



Inlets 100 Amp / Boatside Selection



Dimension:
100/125A see page 19

| Wire Configuration | AMP | Voltage | Catalog Number |
|--------------------|-----|-----------------------|------------------------|
| 3 Pole 4 Wire | 100 | 125/250 | ME 4100B12R |
| | | 125/250 | ME 4100B12R-L * |
| 3Ø120/208 | | ME 5100B9R | |
| 3Ø120/208 | | ME 5100B9R-L * | |
| 4 Pole 5 Wire | | | |

* Large Industry Standard Flange

Connectors 100 Amp / Boatside Selection



Dimension:
100/125A see page 23

| Wire Configuration | AMP | Voltage | Catalog Number |
|--------------------|-----|-----------|--------------------|
| 3 Pole 4 Wire | 100 | 125/250 | ME 4100C12R |
| 4 Pole 5 Wire | | 3Ø120/208 | ME 5100C9R |

Wiring Devices - Series 60309 Pin and Sleeve

Marine Grade ■ Receptacles, Plugs, Connectors ■ 100A / Standard Devices ■ Watertight

Receptacles 100 Amp / Dockside Selection



Dimension:
100/125A see page 15

| Wire Configuration | AMP | Voltage | Catalog Number |
|--------------------|-----|-----------|-----------------|
| 3 Pole 4 Wire | 100 | 125/250 | ME 4100R12M |
| | | 125/250 | ME 4100R12M-L * |
| 4 Pole 5 Wire | | 3Ø120/208 | ME 5100R9M |
| | | 3Ø120/208 | ME 5100R9M-L * |

* Large Industry Standard Flange

Plugs 100 Amp / Dockside Selection



Dimension:
100/125A see page 21

| Wire Configuration | AMP | Voltage | Catalog Number |
|--------------------|-----|-----------|----------------|
| 3 Pole 4 Wire | 100 | 125/250 | ME 4100P12M |
| 4 Pole 5 Wire | | 3Ø120/208 | ME 5100P9M |

Connectors 100 Amp / Dockside Selection



Dimension:
100/125A see page 23

| Wire Configuration | AMP | Voltage | Catalog Number |
|--------------------|-----|-----------|----------------|
| 3 Pole 4 Wire | 100 | 125/250 | ME 4100C12M |
| 4 Pole 5 Wire | | 3Ø120/208 | ME 5100C9M |

Custom Power Distribution

Product information

The right
combination
for every
application.



Custom Power Distribution

Product information AMAXX® Series

AMAXX® Customized Power Distribution.

The AMAXX® enclosure system offers you the perfect solution with our new and innovative modular design. AMAXX® allows you to configure a system for your specific requirements with in-stock modules for fast delivery. Select from several installation options including IEC and NEMA receptacles, overcurrent protection choices and disconnect switches.



Features and benefits

- UL Listed Enclosure and Cabinet – Type 4X; 12; 3R
- Available in a single gang to a five-gang unit
- Non-metallic hinged enclosure for easy access
- Multiple receptacle options including switched and interlocked IEC 60309 styles
- Overcurrent protection available
- Fully customizable for your application with IEC 60309 products or NEMA devices
- Modular design means many units can ship immediately from our stock
- Field installation can be facilitated with pre-wired option from factory

Custom Power Distribution

Product information AMAXX® Series

The AMAXX® Enclosure System.

All AMAXX® units begin with a blank enclosure; you select the size needed for your application. One AMAXX® unit can replace multiple installations, saving you labor, material and space. AMAXX® gives you total freedom and flexibility with our new and innovative system. With AMAXX®, you can customize quickly, safely and easily to suit any application.

AMAXX®
by MENNEKES



Compliances:

- Standard 50 – Enclosure and cut-out box
- to CSA C22.2 No. 94.1
- Environmental: NEMA 4X, 12, 3R
- UL94 – 5V Rating; UV Stabilized Material

MENNEKES Outlet Covers.

AMAXX® assemblies are fitted with outlet covers to match the quality and durability of the AMAXX® enclosure system. Innovative MENNEKES covers for duplex and GFCI receptacles and 20A-50A NEMA locking devices feature a stainless steel spring and fixing pin. Weatherproof seal is assured with poured-in-place gasket on base plate. Valox material is Corrosion and UV resistant.



Compliances:

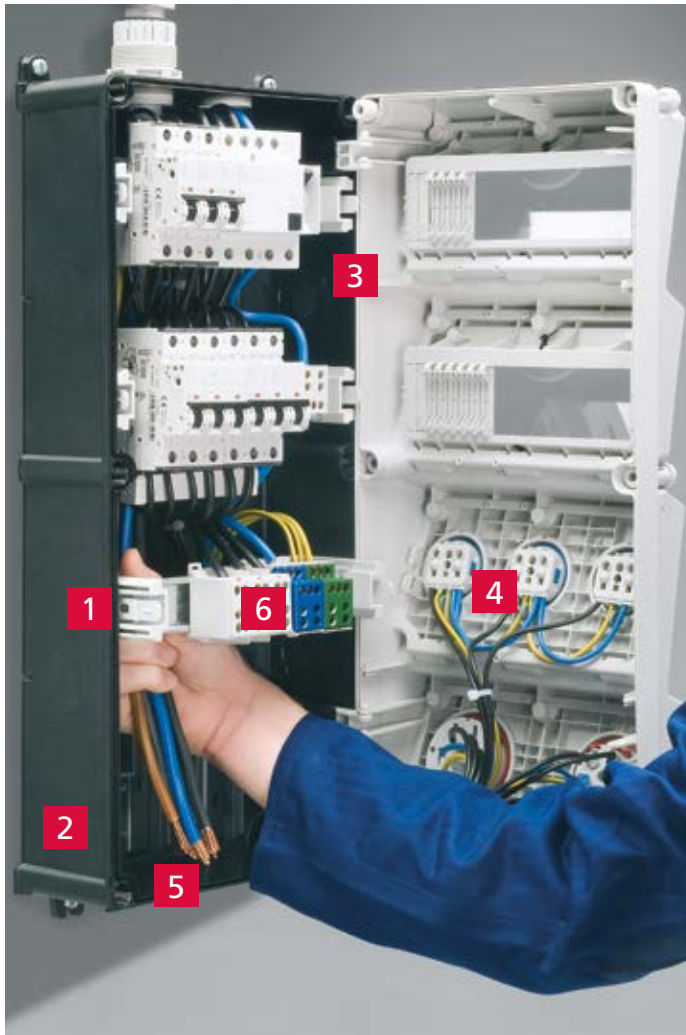
- Listed to Standards UL 514D and CSA C22.2 no. 42.1
- Type 3R Rating
- Extra Duty In-Use Covers comply to 2014 NEC 406.9 (B)(1) for Wet Locations

Custom Power Distribution

Product information AMAXX® Series

Available in single gang to five-gang sizes, AMAXX® non-metallic enclosures and module plates are rated NEMA 4X and molded with Valox thermo-plastic material. Multiple boxes can be ganged together or used individually. Each box is hinged for convenient access to interior components for field wiring requirements.

Order AMAXX® fully wired to expedite installation....you only need to rough-in the enclosure and make final supply and ground terminations. AMAXX® is available in pre-configured combinations with standard module plates, or specify receptacle, switch, control or data port options to meet your installation requirements. With AMAXX®, the possibilities are endless.



1 Adjustable DIN Rails

Allows for easy routing of field wiring when commissioning unit.

2 One-man installation

Molded mounting feet on bottom box reduces rough-in time. Mounting tube system is also available.

3 Hinged cover

Provides easy access to enclosure interior and cover mounted components for field wiring.

4 Pre-wired factory assemblies

Standard for units with over-current protection. Assembled and wired to UL 508A requirements. Three line wiring diagram provided with lay-out of each combination.

5 Blank end walls

Ample mounting area for multiple conduit fittings, sized up to 1½" for larger boxes.

6 Line and Ground Terminals

Sized up to 1/0 based upon load requirement; positioned best for supply terminations.



- Captive cover screws make opening and closing the enclosure fast and easy.

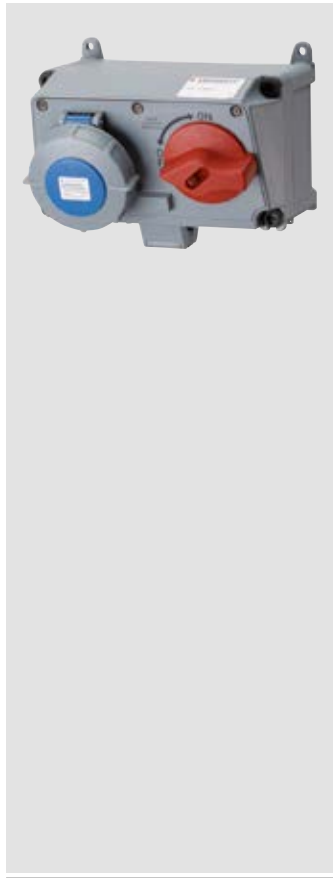


- Pad-lockable window allows access by only authorized personnel.

Custom Power Distribution

AMAXX® Series

Please consult factory for your custom solution – the possibilities are endless. For dimensions, see page 30.



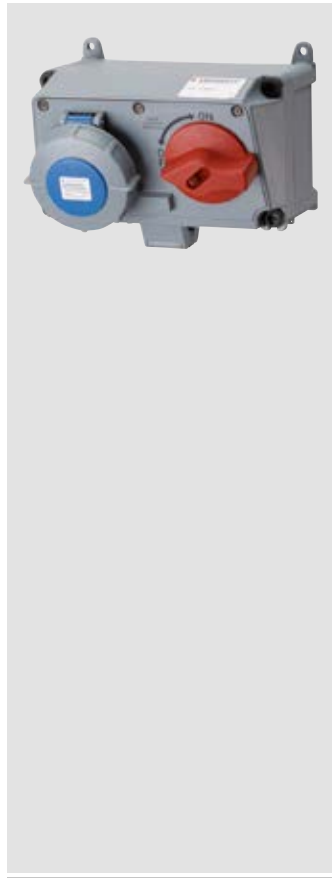
Fitted with
1x 20A, 3P, 4W, 250V
Switched & Interlocked Receptacle

Over Current Protection Device

Enclosure size
130 x 225 mm (H x W)

Protection type
Type 4X;12

Catalog Number
AMX1A-910381



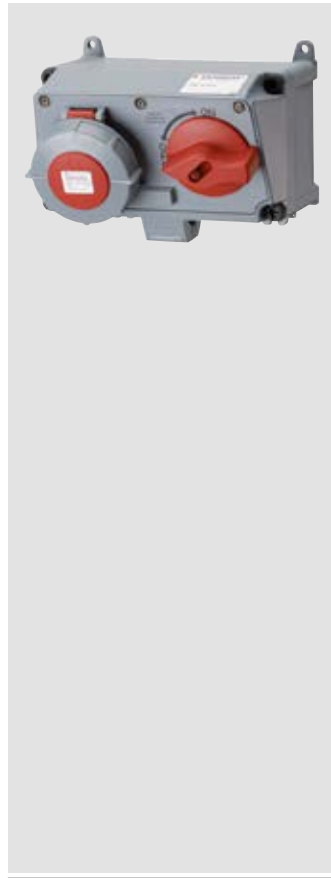
Fitted with
1x 30A, 3P, 4W, 250V
Switched & Interlocked Receptacle

Over Current Protection Device

Enclosure size
130 x 225 mm (H x W)

Protection type
Type 4X;12

Catalog Number
AMX1A-910385



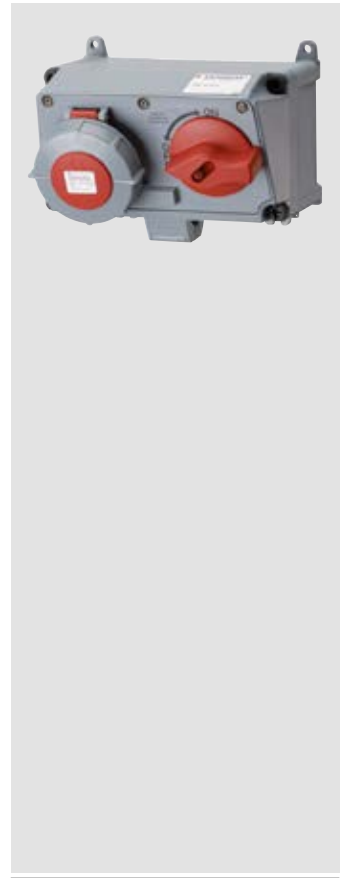
Fitted with
1x 20A, 3P, 4W, 480V
Switched & Interlocked Receptacle

Over Current Protection Device

Enclosure size
130 x 225 mm (H x W)

Protection type
Type 4X;12

Catalog Number
AMX1A-910380



Fitted with
1x 30A, 3P, 4W, 480V
Switched & Interlocked Receptacle

Over Current Protection Device

Enclosure size
130 x 225 mm (H x W)

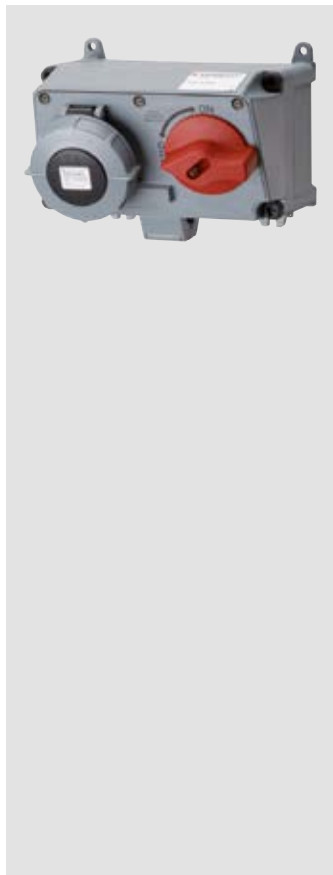
Protection type
Type 4X;12

Catalog Number
AMX1A-910384

Custom Power Distribution

AMAXX® Series

Please consult factory for your custom solution – the possibilities are endless. For dimensions, see page 30.



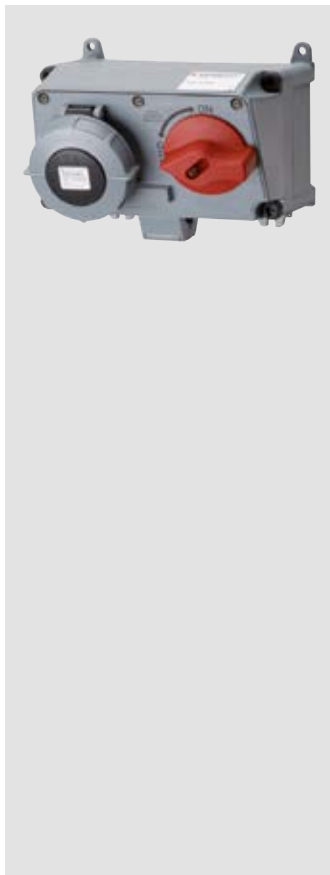
Fitted with
1x 20A, 3P, 4W, 600V
Switched & Interlocked Receptacle

Over Current Protection Device

Enclosure size
130 x 225 mm (H x W)

Protection type
Type 4X;12

Catalog Number
AMX1A-910383



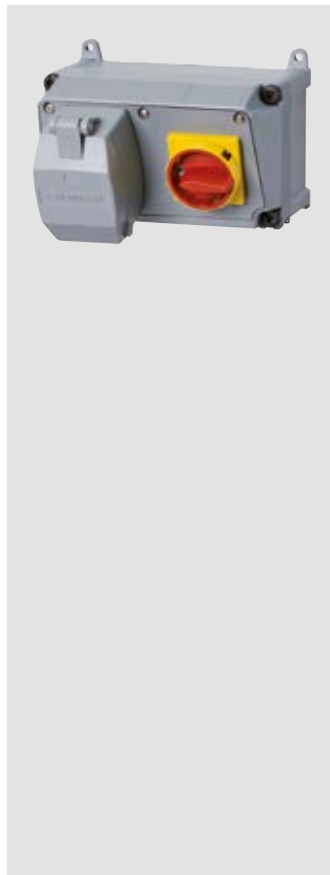
Fitted with
1x 30A, 3P, 4W, 600V
Switched & Interlocked Receptacle

Over Current Protection Device

Enclosure size
130 x 225 mm (H x W)

Protection type
Type 4X;12

Catalog Number
AMX1A-910386



Fitted with
1 x 30A, 2P, 3W, 250V
NEMA L6-30R Receptacle with
Weatherproof Cover

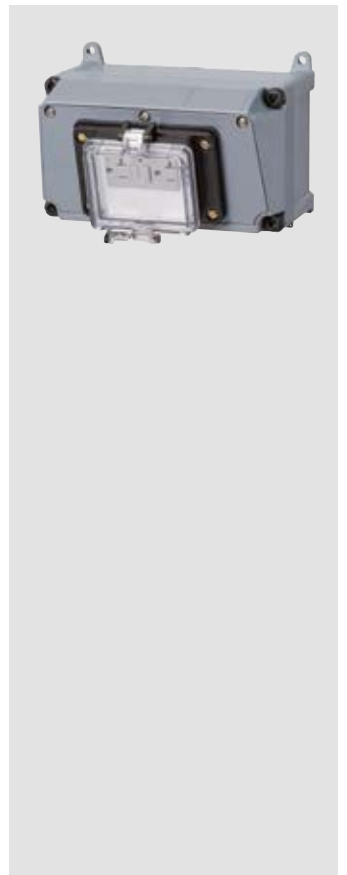
1 x 30A, 3P, 10HP
Motor Disconnect Switch

Over Current Protection Device

Enclosure size
130 x 225 mm (H x W)

Protection type
Type 3R

Catalog Number
AMX1A-919011



Fitted with
1 x 20A, 2P, 3W 125V
GFCI Duplex Receptacle
with 4X Cover

Over Current Protection Device

Enclosure size
130 x 225 mm (H x W)

Protection type
Type 4X

Catalog Number
AMX1A-919003

Custom Power Distribution

AMAXX® Series

Please consult factory for your custom solution – the possibilities are endless. For dimensions, see page 30.



Fitted with

1x 60A, 2P, 3W, 6h, 250V
Switched & Interlocked Receptacle

Over Current Protection Device

Enclosure size

260 x 225 mm (H x W)

Protection type

Type 4X;12

Catalog Number

AMX2A-360MI6



Fitted with

1x 60A, 2P, 3W, 6h, 250V
Switched & Interlocked Receptacle

1x 20A, 2P, 3W, 125V
NEMA 5-20R Duplex Receptacle
with Weatherproof Cover

Over Current Protection Device

Enclosure size

260 x 225 mm (H x W)

Protection type

Type 3R

Catalog Number

AMX2A-360MI6DPLX



Fitted with

1x 60A, 2P, 3W, 6h, 250V
Switched & Interlocked Receptacle

1x 20A, 2P, 3W, 125V
NEMA 5-20R GFCI Receptacle
with Weatherproof Cover

Over Current Protection Device

Enclosure size

260 x 225 mm (H x W)

Protection type

Type 3R

Catalog Number

AMX2A-360MI6GFI



Fitted with

1x 60A, 2P, 3W, 6h, 250V
Switched & Interlocked Receptacle

1x 20A, 2P, 3W, 125V
NEMA 5-20R GFCI Receptacle
with EXTRA-DUTY In-Use Cover
for NEMA

Over Current Protection Device

Enclosure size

260 x 225 mm (H x W)

Protection type

Type 3R

Catalog Number

AMX2A-360MI6GFIU

Custom Power Distribution

AMAXX® Series

Please consult factory for your custom solution – the possibilities are endless. For dimensions, see page 30.



Fitted with
1x 60A, 3P, 4W, 9h, 250V
Switched & Interlocked Receptacle



Fitted with
1x 60A, 3P, 4W, 9h, 250V
Switched & Interlocked Receptacle

1x 20A, 2P, 3W, 125V
NEMA 5-20R Duplex Receptacle
with Weatherproof Cover



Fitted with
1x 60A, 3P, 4W, 9h, 250V
Switched & Interlocked Receptacle

1x 20A, 2P, 3W, 125V
NEMA 5-20R GFCI Receptacle
with Weatherproof Cover



Fitted with
1x 60A, 3P, 4W, 9h, 250V
Switched & Interlocked Receptacle

1x 20A, 2P, 3W, 125V
NEMA 5-20R GFCI Receptacle
with EXTRA-DUTY In-Use Cover

Over Current Protection Device

Over Current Protection Device

Over Current Protection Device

Over Current Protection Device

Enclosure size
260 x 225 mm (H x W)

Enclosure size
260 x 225 mm (H x W)

Enclosure size
260 x 225 mm (H x W)

Enclosure size
260 x 225 mm (H x W)

Protection type
Type 4X;12

Protection type
Type 3R

Protection type
Type 3R

Protection type
Type 3R

Catalog Number
AMX2A-460MI9

Catalog Number
AMX2A-460MI9DPLX

Catalog Number
AMX2A-460MI9GFI

Catalog Number
AMX2A-460MI9GFIU

Custom Power Distribution

AMAXX® Series

Please consult factory for your custom solution – the possibilities are endless. For dimensions, see page 30.



Fitted with

1x 60A, 3P, 4W, 7h, 480V
Switched & Interlocked Receptacle



Fitted with

1x 60A, 3P, 4W, 7h, 480V
Switched & Interlocked Receptacle

1x 20A, 2P, 3W, 125V
NEMA 5-20R Duplex Receptacle
with Weatherproof Cover



Fitted with

1x 60A, 3P, 4W, 7h, 480V
Switched & Interlocked Receptacle

1x 20A, 2P, 3W, 125V
NEMA 5-20R GFCI Receptacle
with EXTRA-DUTY In-Use Cover



Fitted with

1x 60A, 3P, 4W, 7h, 480V
Switched & Interlocked Receptacle

1x 20A, 2P, 3W, 125V
NEMA L5-30R Receptacle with
Weatherproof Cover

Over Current Protection Device

Over Current Protection Device

Over Current Protection Device

Over Current Protection Device

Enclosure size

260 x 225 mm (H x W)

Enclosure size

260 x 225 mm (H x W)

Enclosure size

260 x 225 mm (H x W)

Enclosure size

260 x 225 mm (H x W)

Protection type

Type 4X;12

Protection type

Type 3R

Protection type

Type 3R

Protection type

Type 3R

Catalog Number

AMX2A-460MI7

Catalog Number

AMX2A-460MI7DPLX

Catalog Number

AMX2A-460MI7GFIU

Catalog Number

AMX2A-929021

Custom Power Distribution

AMAXX® Series

Please consult factory for your custom solution – the possibilities are endless. For dimensions, see page 30.



Fitted with

1x 20A, 3P, 4W, 7h, 480V
Switched & Interlocked Receptacle

1x 20A, 2P, 3W, 125V
GFCI Duplex Receptacle with
4X Cover

Over Current Protection Device

Enclosure size

260 x 225 mm (H x W)

Protection type

Type 4X

Catalog Number

AMX2A-929045



Fitted with

1x 30A, 3P, 4W, 7h, 480V
Switched & Interlocked Receptacle

1x 20A, 2P, 3W, 125V
GFCI Duplex Receptacle with
4X Cover

Over Current Protection Device

Enclosure size

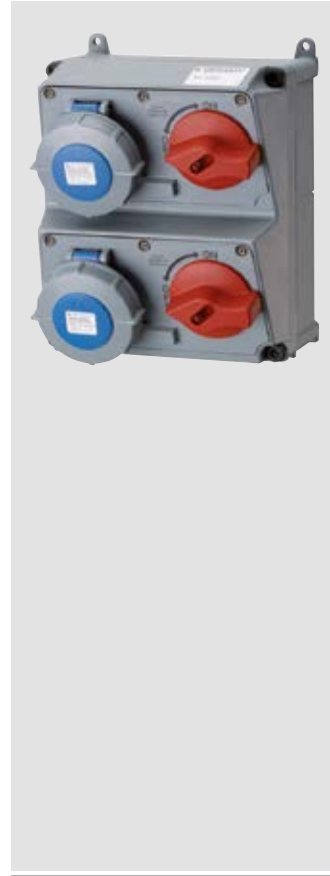
260 x 225 mm (H x W)

Protection type

Type 4X

Catalog Number

AMX2A-929067



Fitted with

2x 20A, 3P, 4W, 250V
Switched & Interlocked
Receptacles

Over Current Protection Device

Enclosure size

10.24 x 8.86 inch (H x W)

Protection type

Type 4X;12

Catalog Number

AMX2A-922087



Fitted with

2x 30A, 3P, 4W, 250V
Switched & Interlocked
Receptacles

Over Current Protection Device

Enclosure size

10.24 x 8.86 inch (H x W)

Protection type

Type 4X;12

Catalog Number

AMX2A-921499

Custom Power Distribution

AMAXX® Series

Please consult factory for your custom solution – the possibilities are endless. For dimensions, see page 30.



Fitted with

2x 20A, 3P, 4W, 7h, 480V
Switched & Interlocked
Receptacles

Over Current Protection Device

Enclosure size

260 x 225 mm (H x W)

Protection type

Type 4X;12

Catalog Number

AMX2A-922088



Fitted with

2x 30A, 3P, 4W, 7h, 480V
Switched & Interlocked
Receptacles

Over Current Protection Device

Enclosure size

260 x 225 mm (H x W)

Protection type

Type 4X;12

Catalog Number

AMX2A-921399



Fitted with

1x 20A, 3P, 4W, 9h, 250V
Switched & Interlocked Receptacle

1x 20A, 2P, 3W, 125V
NEMA 5-20R GFCI Receptacle
with EXTRA-DUTY In-Use Cover

Over Current Protection Device

Enclosure size

260 x 225 mm (H x W)

Protection type

Type 3R

Catalog Number

AMX2A-929082



Fitted with

1x 30A, 3P, 4W, 9h, 250V
Switched & Interlocked Receptacle

1x 20A, 2P, 3W, 125V
NEMA 5-20R GFCI Receptacle
with EXTRA-DUTY In-Use Cover

Over Current Protection Device

Enclosure size

260 x 225 mm (H x W)

Protection type

Type 3R

Catalog Number

AMX2A-929083

Custom Power Distribution

AMAXX® Series

Please consult factory for your custom solution – the possibilities are endless. For dimensions, see page 30.



Fitted with
 1x 20A, 3P, 4W, 7h, 480V
 Switched & Interlocked Receptacle

 1x 20A, 2P, 3W, 125V
 NEMA 5-20R GFCI Receptacle
 with EXTRA-DUTY In-Use Cover

Fitted with
 1x 30A, 3P, 4W, 7h, 480V
 Switched & Interlocked Receptacle

 1x 20A, 2P, 3W, 125V
 NEMA 5-20R GFCI Receptacle
 with EXTRA-DUTY In-Use Cover

Fitted with
 4x 30A, 3W, 10HP
 Motor Disconnect Switches

Fitted with
 3x 20A, 3P, 4W, 9h, 250V
 Switched & Interlocked
 Receptacles

Over Current Protection Device

Over Current Protection Device

Over Current Protection Device

Over Current Protection Device

Enclosure size
 260 x 225 mm (H x W)

Enclosure size
 260 x 225 mm (H x W)

Enclosure size
 390 x 225 mm (H x W)

Enclosure size
 390 x 225 mm (H x W)

Protection type
 Type 3R

Protection type
 Type 3R

Protection type
 Type 4X;12

Protection type
 Type 4X;12

Catalog Number
AMX2A-929084

Catalog Number
AMX2A-929085

Catalog Number
AMX3A-939003

Catalog Number
AMX3A-932239

Custom Power Distribution

AMAXX® Series

Please consult factory for your custom solution – the possibilities are endless. For dimensions, see page 30.



Fitted with

3x 20A, 3P, 4W, 7h, 480V
Switched & Interlocked
Receptacles

Over Current Protection Device

Enclosure size

390 x 225 mm (H x W)

Protection type

Type 4X;12

Catalog Number

AMX3A-932976



Fitted with

3x 30A, 3P, 4W, 7h, 480V
Switched & Interlocked
Receptacles

Over Current Protection Device

Enclosure size

390 x 225 mm (H x W)

Protection type

Type 4X;12

Catalog Number

AMX3A-932238



Fitted with

2x 20A, 3P, 4W, 9h, 250V
Switched & Interlocked
Receptacles

1x 20A, 2P, 3W, 125V
NEMA 5-20R GFCI Receptacle
with EXTRA-DUTY In-Use Cover

Over Current Protection Device

Enclosure size

390 x 225 mm (H x W)

Protection type

Type 3R

Catalog Number

AMX3A-939060



Fitted with

2x 30A, 3P, 4W, 9h, 250V
Switched & Interlocked
Receptacles

1x 20A, 2P, 3W, 125V
NEMA 5-20R GFCI Receptacle
with EXTRA-DUTY In-Use Cover

Over Current Protection Device

Enclosure size

390 x 225 mm (H x W)

Protection type

Type 3R

Catalog Number

AMX3A-939061

Custom Power Distribution

AMAXX® Series

Please consult factory for your custom solution – the possibilities are endless. For dimensions, see page 30.



Fitted with

2x 20A, 3P, 4W, 9h, 250V Switched & Interlocked Receptacles

Over Current Protection Device

2 MCB's 20A, 3P, K

Enclosure size

390 x 225 mm (H x W)

Protection type

Type 4X;12

Catalog Number

AMX3A-933222



Fitted with

2x 30A, 3P, 4W, 9h, 250V Switched & Interlocked Receptacles

Over Current Protection Device

2 MCB's 30A, 3P, K

Enclosure size

390 x 225 mm (H x W)

Protection type

Type 4X;12

Catalog Number

AMX3A-933224



Fitted with

2x 20A, 3P, 4W, 7h, 480V Switched & Interlocked Receptacles

1x 20A, 2P, 3W, 125V NEMA 5-20R GFCI Receptacle with EXTRA-DUTY In-Use Cover

Over Current Protection Device

Enclosure size

390 x 225 mm (H x W)

Protection type

Type 3R

Catalog Number

AMX3A-939064



Fitted with

2x 30A, 3P, 4W, 7h, 480V Switched & Interlocked Receptacles

1x 20A, 2P, 3W, 125V NEMA 5-20R GFCI Receptacle with EXTRA-DUTY In-Use Cover

Over Current Protection Device

Enclosure size

390 x 225 mm (H x W)

Protection type

Type 3R

Catalog Number

AMX3A-939065

Custom Power Distribution

AMAXX® Series

Please consult factory for your custom solution – the possibilities are endless. For dimensions, see page 30.



Fitted with

2x 20A, 3P, 4W, 7h, 480V
Switched & Interlocked
Receptacles

Over Current Protection Device

2 MCB's 20A, 3P, K

Enclosure size

390 x 225 mm (H x W)

Protection type

Type 4X;12

Catalog Number

AMX3A-933223



Fitted with

2x 30A, 3P, 4W, 7h, 480V
Switched & Interlocked
Receptacles

Over Current Protection Device

2 MCB's 30A, 3P, K

Enclosure size

390 x 225 mm (H x W)

Protection type

Type 4X;12

Catalog Number

AMX3A-933225



Fitted with

4x 20A, 3P, 4W, 9h, 250V
Switched & Interlocked
Receptacles

Over Current Protection Device

Enclosure size

520 x 225 mm (H x W)

Protection type

Type 4X;12

Catalog Number

AMX4A-942998



Fitted with

4x 30A, 3P, 4W, 9h, 250V
Switched & Interlocked
Receptacles

Over Current Protection Device

Enclosure size

520 x 225 mm (H x W)

Protection type

Type 4X;12

Catalog Number

AMX4A-943008

Custom Power Distribution

AMAXX® Series

Please consult factory for your custom solution – the possibilities are endless. For dimensions, see page 30.



Fitted with

4x 20A, 3P, 4W, 7h, 480V
Switched & Interlocked
Receptacles

Over Current Protection Device

Enclosure size

520 x 225 mm (H x W)

Protection type

Type 4X;12

Catalog Number

AMX4A-942988



Fitted with

4x 30A, 3P, 4W, 7h, 480V
Switched & Interlocked
Receptacles

Over Current Protection Device

Enclosure size

520 x 225 mm (H x W)

Protection type

Type 4X;12

Catalog Number

AMX4A-943007



Fitted with

3x 30A, 3P, 4W, 9h, 250V
Switched & Interlocked
Receptacles

1x 20A, 2P, 3W, 125V
NEMA 5-20R GFCI Receptacle
with EXTRA-DUTY In-Use Cover

Over Current Protection Device

Enclosure size

520 x 225 mm (H x W)

Protection type

Type 3R

Catalog Number

AMX4A-949032



Fitted with

2x 30A, 3P, 4W, 7h, 480V
Switched & Interlocked
Receptacles

1x 30A, 3P, 4W, 9h, 250V
Switched & Interlocked Receptacle

1x 20A, 2P, 3W, 125V
NEMA 5-20R GFCI Receptacle
with EXTRA-DUTY In-Use Cover

Over Current Protection Device

Enclosure size

520 x 225 mm (H x W)

Protection type

Type 3R

Catalog Number

AMX4A-949034

Custom Power Distribution

AMAXX® Series

Please consult factory for your custom solution – the possibilities are endless. For dimensions, see page 30.



Fitted with

3x 20A, 3P, 4W, 9h, 250V
Switched & Interlocked
Receptacles

Over Current Protection Device

3 MCB's 20A, 3P, K

Enclosure size

520 x 225 mm (H x W)

Protection type

Type 4X;12

Catalog Number

AMX4A-943233



Fitted with

3x 30A, 3P, 4W, 9h, 250V
Switched & Interlocked
Receptacles

Over Current Protection Device

3 MCB's 30A, 3P, K

Enclosure size

520 x 225 mm (H x W)

Protection type

Type 4X;12

Catalog Number

AMX4A-943235



Fitted with

3x 20A, 3P, 4W, 7h, 480V
Switched & Interlocked
Receptacles

1x 20A, 2P, 3W, 125V
NEMA 5-20R GFCI Receptacle
with EXTRA-DUTY In-Use Cover

Over Current Protection Device

Enclosure size

520 x 225 mm (H x W)

Protection type

Type 3R

Catalog Number

AMX4A-949035



Fitted with

3x 30A, 3P, 4W, 7h, 480V
Switched & Interlocked
Receptacles

1x 20A, 2P, 3W, 125V
NEMA 5-20R GFCI Receptacle
with EXTRA-DUTY In-Use Cover

Over Current Protection Device

Enclosure size

520 x 225 mm (H x W)

Protection type

Type 3R

Catalog Number

AMX4A-949036

Custom Power Distribution

AMAXX® Series

Please consult factory for your custom solution – the possibilities are endless. For dimensions, see page 30.



Fitted with

3x 20A, 3P, 4W, 7h, 480V
Switched & Interlocked
Receptacles

Over Current Protection Device

3 MCB's 20A, 3P, K

Enclosure size

520 x 225 mm (H x W)

Protection type

Type 4X;12

Catalog Number

AMX4A-943234



Fitted with

3x 30A, 3P, 4W, 7h, 480V
Switched & Interlocked
Receptacles

Over Current Protection Device

3 MCB's 30A, 3P, K

Enclosure size

520 x 225 mm (H x W)

Protection type

Type 4X;12

Catalog Number

AMX4A-943236



Fitted with

5x 20A, 3P, 4W, 9h, 250V
Switched & Interlocked
Receptacles

Over Current Protection Device

Enclosure size

650 x 225 mm (H x W)

Protection type

Type 4X;12

Catalog Number

AMX5A-951178



Fitted with

5x 30A, 3P, 4W, 9h, 250V
Switched & Interlocked
Receptacles

Over Current Protection Device

Enclosure size

650 x 225 mm (H x W)

Protection type

Type 4X;12

Catalog Number

AMX5A-951184

Custom Power Distribution

AMAXX® Series

Please consult factory for your custom solution – the possibilities are endless. For dimensions, see page 30.



Fitted with

5x 20A, 3P, 4W, 7h, 480V
Switched & Interlocked
Receptacles

Over Current Protection Device

Enclosure size

650 x 225 mm (H x W)

Protection type

Type 4X;12

Catalog Number

AMX5A-951176



Fitted with

5x 30A, 3P, 4W, 7h, 480V
Switched & Interlocked
Receptacles

Over Current Protection Device

Enclosure size

650 x 225 mm (H x W)

Protection type

Type 4X;12

Catalog Number

AMX5A-951183



Fitted with

4x 30A, 3P, 4W, 9h, 250V
Switched & Interlocked
Receptacles

1x 20A, 2P, 3W, 125V
NEMA 5-20R GFCI Receptacle
with EXTRA-DUTY
In-Use Cover

Over Current Protection Device

Enclosure size

650 x 225 mm (H x W)

Protection type

Type 3R

Catalog Number

AMX5A-959083



Fitted with

4x 30A, 3P, 4W, 7h, 480V
Switched & Interlocked
Receptacles

1x 20A, 2P, 3W, 125V
NEMA 5-20R GFCI Receptacle
with EXTRA-DUTY
In-Use Cover

Over Current Protection Device

Enclosure size

650 x 225 mm (H x W)

Protection type

Type 3R

Catalog Number

AMX5A-959087

Custom Power Distribution

AMAXX® Series

Please consult factory for your custom solution – the possibilities are endless. For dimensions, see page 30.



Fitted with

3x 20A, 3P, 4W, 9h, 250V
Switched & Interlocked
Receptacles

1x 20A, 2P, 3W, 125V
5-20R NEMA Twin GFCI
Receptacle with EXTRA-DUTY
In-Use Cover

Over Current Protection Device

3x MCB's 20A, 3P, K

1x MCB 20A, 1P, K

Enclosure size

650 x 225 mm (H x W)

Protection type

Type 3R

Catalog Number

AMX5A-959064



Fitted with

3x 30A, 3P, 4W, 9h, 250V
Switched & Interlocked
Receptacles

1x 20A, 2P, 3W, 125V
5-20R NEMA Twin GFCI
Receptacle with EXTRA-DUTY
In-Use Cover

Over Current Protection Device

3x MCB's 30A, 3P, K

1x MCB 20A, 1P, K

Enclosure size

650 x 225 mm (H x W)

Protection type

Type 3R

Catalog Number

AMX5A-959063



Fitted with

1x 60A, 3P, 4W, 7h, 480V
Switched & Interlocked Receptacle

2x 30A, 3P, 4W, 7h, 480V
Switched & Interlocked Receptacle

Over Current Protection Device

1x MCB 60A, 3P, K

2x MCB's 30A, 3P, K

Enclosure size

650 x 225 mm (H x W)

Protection type

Type 4X;12

Catalog Number

AMX5A-951484



Fitted with

1x 60A, 3P, 4W, 7h, 480V
Switched & Interlocked Receptacle

2x 30A, 3P, 4W, 7h, 480V
Switched & Interlocked
Receptacles

1x 20A, 2P, 3W, 125V
5-20R NEMA Twin GFCI
Receptacle with EXTRA-DUTY
In-Use Cover

Over Current Protection Device

1x MCB 60A, 3P, K

2x MCB's 30A, 3P, K

Enclosure size

650 x 225 mm (H x W)

Protection type

Type 3R

Catalog Number

AMX5A-959061

Custom Power Distribution

AMAXX® Carrier frame and EverMAXX Series

Please consult factory for your custom solution – the possibilities are endless.

Portable Options for AMAXX®

Portable Stand for AMAXX® 2, 3 and 4 Gang boxes.
AMAXX® Stand Catalog Number: **AMX-15696**



EverMAXX Portable Power Distribution

Get the flexibility and customization of our AMAXX product line in an innovative, rugged and portable design.

Device Options:

- Various Receptacles
 - Pin & Sleeve
 - NEMA Locking Devices
 - Convenience Outlets
- Switched & Interlocked Receptacles
- Overcurrent Protection



Shown:
Switched and Interlocked Receptacle Modules with
Overload Protection

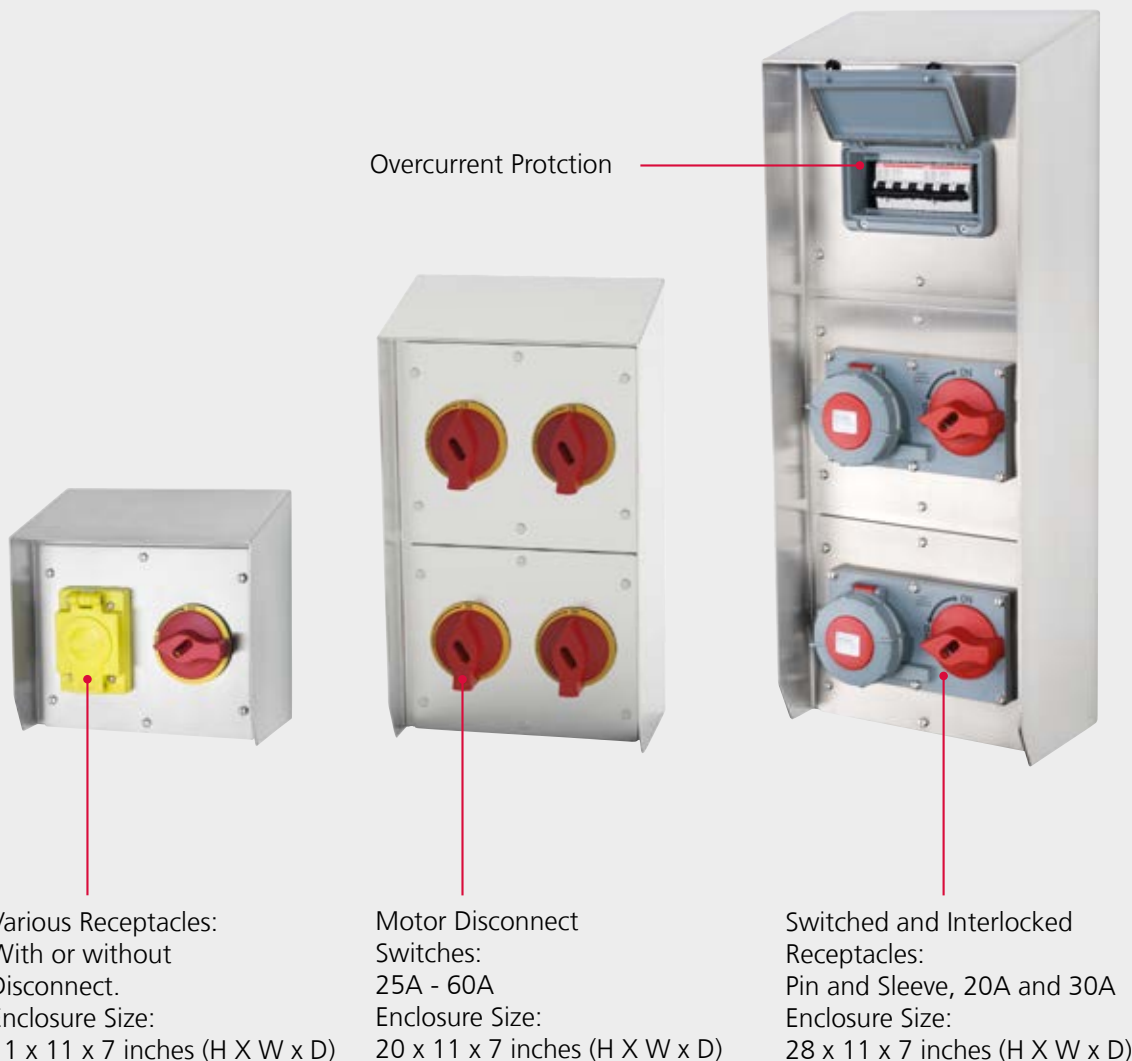
Custom Power Distribution

SpecMAXX Series


Please consult factory for your custom solution – the possibilities are endless.

SpecMAXX Power Distribution Sloped-Top Stainless Steel Enclosure NEMA 4X; 12

With SpecMAXX, create a custom power distribution center in a NEMA 4X Stainless Steel, Sloped-Top Enclosure. Our superior enclosure design features a 15° sloped roof and drainage channel to facilitate run-off of liquids and contaminants for the ultimate clean installation. Choose from 3 enclosure sizes and various receptacles or motor disconnects; add overcurrent Protection if needed. Our unique enclosure system allows you to customize quickly and easily, with SpecMAXX, the possibilities are endless.



Features and Benefits:

-  Listed Enclosure, Type 4X; 12
- Available in single gang to three-gang unit
- 15° Sloped-Top for runoff of liquids
- 304 Stainless with low RA value finish
- One piece punched gasket and sealed mounting holes for Type 4X protection
- Removable module plates with captive hardware and retention straps
- Customizable for your application; pre-wired factory combinations available

Switched and Interlocked Receptacles

Product information

Enhanced safety.
Fusible or non-fusible.



Switched and Interlocked Receptacles

Product information

MENNEKES® Switched and Interlocked Receptacles.

Switched and Interlocked Receptacles provide safety and durability in one pre-wired unit. Patented interlock mechanism prohibits the switch from being turned "ON" unless the plug is fully inserted. The plug cannot be removed unless the switch is turned "OFF".

DIN rail and screw mounting of components facilitates maintenance.

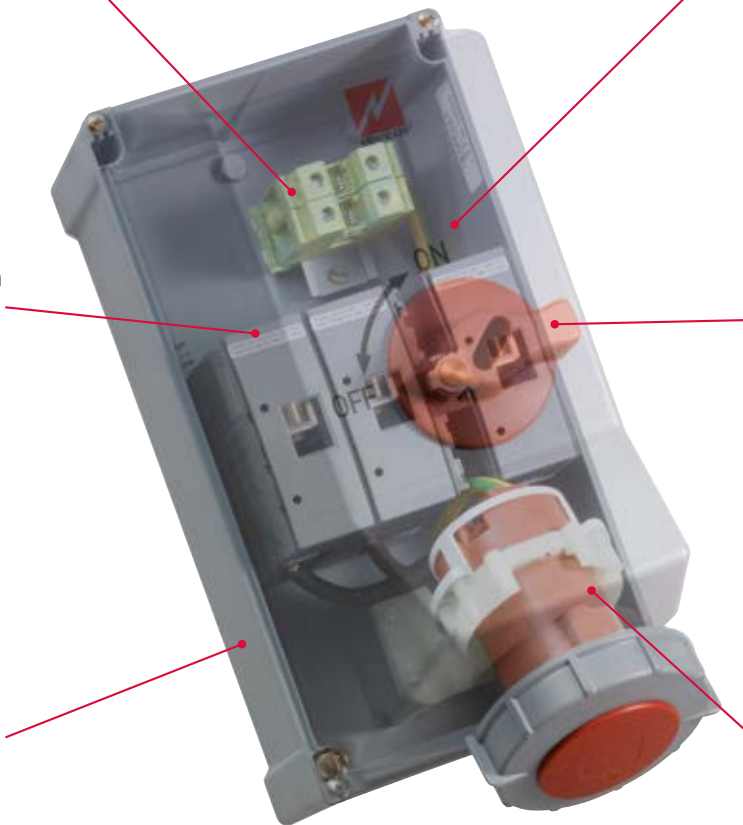
Generous wiring space allows for convenient access to field terminals.

Heavy-duty HP Rated switch factory wired to receptacle. Oversized terminals help ease installation.

High visibility, pad-lockable handle actuates switch and receptacle interlock mechanism to assure "no-load" make and break of plug connected equipment.

NEMA 4X Valox enclosure; impact modified and chemical-resistant. Features poured-in-place gasketing and molded conduit drillpoints in top, bottom and rear wall.

Thermoplastic receptacle available in 20A, 30A, 60A and 100A IEC 60309 configurations. Compatible with like-rate plugs from other manufacturers.



Features and benefits

- **Factory Wired - Single Unit Construction** - Receptacle is pre-wired to the switch for quick installation. Mount with moveable mounting feet to allow for irregular surfaces or utilize the internal mounting tubes when mounting area is limited.
- **Switch** - Available non-fusible and fusible (30A & 60A). Self-cleaning contacts are driven by solid bridge bar to prevent single phasing of motors. Quick-Make/Quick-Break action provides long electrical life. Positive opening operation protects personnel from welded contacts.
- **NEMA 4X; 12 Enclosure** - Uses poured-in seamless gasket and stainless fixing screws for the ultimate seal. Impact modified Valox enclosure is resistant to harsh environments. Hidden Hinge System on fusible units eliminates sanitation concerns.
- **Padlockable Handle** - Rugged high visibility design to comply with OSHA LO/TO requirements. (Reg. 1910.147).
- **Auxiliary Contacts** - Full range available in N/O and N/C style.

Switched and Interlocked Receptacles

LockOUT-LET Series ■ Non-Fusible Interlocked ■ 20, 30 & 60 Amp; NEMA 4X; 12



| Amp | Configuration | Voltage | HP Rating Standard | Receptacle Catalog No. | Mating Plug Catalog No. |
|----------------|--|--|--------------------|------------------------|-------------------------|
| 20 | 3 Pole, 4 Wire | 125/250 | 1/3 | ME 420MI12 | ME 420P12W |
| | | 3Ø250 | 7.5 | ME 420MI9 | ME 420P9W |
| | | 3Ø480 | 15 | ME 420MI7 | ME 420P7W |
| | | 3Ø600 | 15 | ME 420MI5 | ME 420P5W |
| 30 | 2 Pole, 3 Wire | 125 | 2 | ME 330MI4 | ME 330P4W |
| | | 250 | 5 | ME 330MI6 | ME 330P6W |
| | | 480 | 10 | ME 330MI7 | ME 330P7W |
| | 3 Pole, 4 Wire | 125/250 | 2; 5 | ME 430MI12 | ME 430P12W |
| | | 3Ø250 | 10 | ME 430MI9 | ME 430P9W |
| | | 3Ø480 | 20 | ME 430MI7 | ME 430P7W |
| 4 Pole, 5 Wire | 3ØY120/208 3ØY277/480 3ØY347/600 | 7.5 | ME 530MI9 | ME 530P9W | |
| | | 20 | ME 530MI7 | ME 530P7W | |
| | | 20 | ME 530MI5 | ME 530P5W | |
| 60 | 2 Pole, 3 Wire | 250 | 10 | ME 360MI6 | ME 360P6W |
| | | 480 | 20 | ME 360MI7 | ME 360P7W |
| | 3 Pole, 4 Wire | 125/250 | 3; 10 | ME 460MI12 | ME 460P12W |
| | | 3Ø250 | 20 | ME 460MI9 | ME 460P9W |
| | | 3Ø480 | 40 | ME 460MI7 | ME 460P7W |
| | 4 Pole, 5 Wire | 3ØY120/208 3ØY277/480 3ØY347/600 | 50 | ME 460MI5 | ME 460P5W |
| 20 | | | ME 560MI9 | ME 560P9W | |
| | | 40 | ME 560MI7 | ME 560P7W | |
| | | 50 | ME 560MI5 | ME 560P5W | |

Compliances and Features:

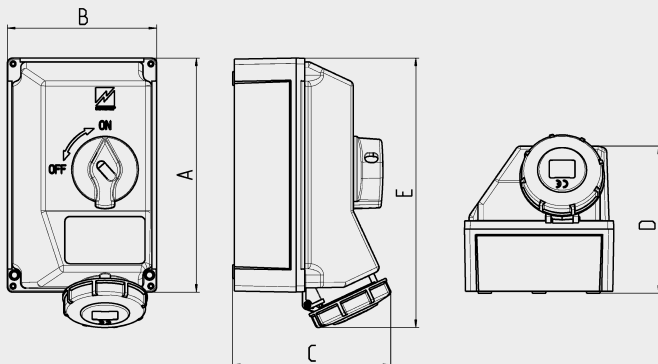
- Standard 508; Industrial Control Equipment
- to CSA 22.2 No. 4-M91
- Standards 1682; 1686 - Plugs and Receptacles, Pin and Sleeve Style
- IEC 60309-1; IEC 60309-2
- Environmental: NEMA Type 4X; 12
- UL94 - 5V Flame Rating
- UV Stabilized Material
- SCCR - 65kA RMS Symmetrical when protected with equally sized Class J Fuse
- UL Endurance Test:
10,000 Electrical Cycles, 15,000 Mechanical Cycles

AUXILIARY CONTACTS: 10A 600 VAC

| Description | Catalog No. |
|----------------------------------|-----------------|
| For 20 & 30 Amp, 1 N/O and 1 N/C | ME 30AUX |
| For 60 Amp, 1 N/O and 1 N/C | ME 80AUX |

Replacement Switches

| Description | Catalog No. |
|-------------|-----------------|
| 20 Amp | ME 20MIX |
| 30 Amp | ME 30MIX |
| 60 Amp | ME 60MIX |



Approximate Dimensions (in inches)

| | 20 Amp | 30 Amp 3, 4 Wire | 30 Amp 5 Wire | 60 Amp |
|----------|--------|---------------------|------------------|--------|
| A | 8.86 | 10.30 | 8.86 | 13.00 |
| B | 4.65 | 6.56 | 4.65 | 7.00 |
| C | 6.77 | 6.69 | 6.77 | 9.25 |
| D | 6.63 | 6.44 | 6.63 | 8.38 |
| E | 6.50 | 12.00 | 6.88 | 14.62 |
| Hub size | 1 | 1 | 1 | 1 1/4 |

Switched and Interlocked Receptacles

LockOUT-LET Series ■ Fusible Interlocked ■ 30 & 60 Amp; NEMA 4X; 12



| Amp | Configuration | Voltage | HP Rating Standard | HP Rating Maximum * | Receptacle Catalog No. | Mating Plug Catalog No. |
|------------|----------------|------------|--------------------|---------------------|------------------------|-------------------------|
| 30 | 2 Pole, 3 Wire | 250 | 1 1/2 | 5 | ME 330MIF6 | ME 330P6W |
| | 3 Pole, 4 Wire | 125/250 | 1/2; 1 1/2 | 2; 5 | ME 430MIF12 | ME 430P12W |
| | | 3Ø250 | 3 | 7.5 | ME 430MIF9 | ME 430P9W |
| | | 3Ø480 | 5 | 15 | ME 430MIF7 | ME 430P7W |
| 3Ø600 | 7 1/2 | 20 | ME 430MIF5 | ME 430P5W | | |
| 60 | 2 Pole, 3 Wire | 250 | 3 | 10 | ME 360MIF6 | ME 360P6W |
| | 3 Pole, 4 Wire | 125/250 | 1 1/2; 3 | 3; 10 | ME 460MIF12 | ME 460P12W |
| | | 3Ø250 | 7.5 | 15 | ME 460MIF9 | ME 460P9W |
| | | 3Ø480 | 15 | 30 | ME 460MIF7 | ME 460P7W |
| | | 3Ø600 | 15 | 30 | ME 460MIF5 | ME 460P5W |
| | 4 Pole, 5 Wire | 3ØY120/208 | 7.5 | 15 | ME 560MIF9 | ME 560P9W |
| 3ØY277/480 | | 15 | 30 | ME 560MIF7 | ME 560P7W | |
| 3ØY347/600 | | 15 | 50 | ME 560MIF5 | ME 560P5W | |

* Requires use of Time Delay - Fuses not provided.
Fuse Holders for Type J Fuses, CC Available for 30A Models.

Compliances and Features:

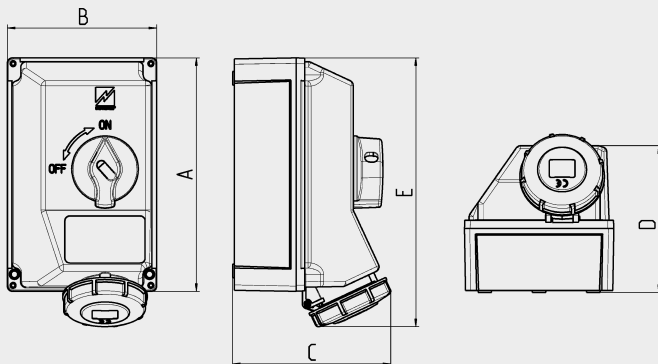
- Standard 98; Enclosed Switches
- to CSA 22.2 No. 4-M89; Enclosed Switches
- Standards 1682; 1686 - Plugs and Receptacles, Pin and Sleeve Style
- IEC 60309-1; IEC 60309-2
- Environmental: NEMA Type 4X; 12
- UL94 - 5V Flame Rating
- UV Stabilized Material
- Switch: 100kAIC Short Circuit Rating
- UL Endurance Test: 6,000 Electrical Cycles, 10,000 Mechanical Cycles
- Removable Type J fuse holders
- Hinged Enclosure for convenient access

AUXILIARY CONTACTS: 10A 600 VAC

| Description | Catalog No. |
|-----------------------------|-------------------|
| For 30 Amp, 1 N/O or 1 N/C | ME 30FDAUX |
| For 60 Amp, 1 N/O and 1 N/C | ME 60FDAUX |

Replacement Switches

| Description | Catalog No. |
|-------------|------------------|
| 30 Amp | ME 30MIFX |
| 60 Amp | ME 60MIFX |



Approximate Dimensions (in inches)

| | 30 Amp | 60 Amp |
|---|--------|--------|
| A | 10.30 | 13.00 |
| B | 6.56 | 7.00 |
| C | 6.69 | 9.25 |
| D | 6.44 | 8.38 |
| E | 12.00 | 14.62 |

Switched and Interlocked Receptacles

LockOUT-LET Series ■ Non-Fusible Interlocked ■ 100 Amp; NEMA 4X; 12



| Amp | Configuration | Voltage | HP Rating Standard | Receptacle Catalog No. | Mating Plug Catalog No. |
|-----|----------------|--|--------------------|------------------------|-------------------------|
| 100 | 2 Pole, 3 Wire | 1Ø125 | 5 | ME 3100MI4 | ME 3100P4W |
| | | 1Ø250 | 15 | ME 3100MI6 | ME 3100P6W |
| | | 1Ø480 | 30 | ME 3100MI7 | ME 3100P7W |
| | 3 Pole, 4 Wire | 1Ø 2P 125/250 3Ø250 3Ø480 3Ø600 | 5/15 | ME 4100MI12 | ME 4100P12W |
| | | | 25 | ME 4100MI9 | ME 4100P9W |
| | | | 50 | ME 4100MI7 | ME 4100P7W |
| | | | 50 | ME 4100MI5 | ME 4100P5W |
| | 4 Pole, 5 Wire | 3ØY120/208 3ØY277/480 3ØY347/600 | 25 | ME 5100MI9 | ME 5100P9W |
| | | | 50 | ME 5100MI7 | ME 5100P7W |
| 50 | | | ME 5100MI5 | ME 5100P5W | |

Compliances and Features:

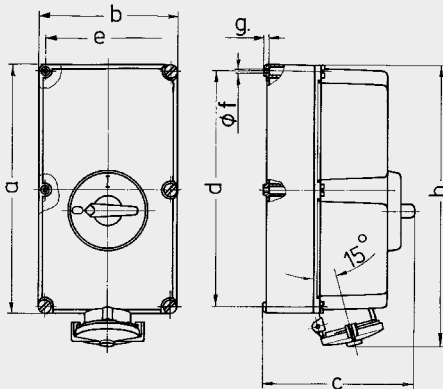
- Standard 508; Industrial Control Equipment
- to CSA 22.2 No. 4-M89
- Standards 1682; 1686 - Plugs and Receptacles, Pin and Sleeve Style
- IEC 60309-1; IEC 60309-2

AUXILIARY CONTACTS: 10A 600 VAC

| Description | Catalog No. |
|--------------------------|-----------------|
| 100 Amp, 1 N/O and 1 N/C | ME 80AUX |

Replacement Switches

| Description | Catalog No. |
|-------------|------------------|
| 100 Amp | ME 100MIX |



Approximate Dimensions (in inches)

| | 2 Pole 3 Wire | 3 Pole 4 Wire | 4 Pole 5 Wire |
|---|------------------|------------------|------------------|
| a | 18.11 | 18.11 | 18.11 |
| b | 10.24 | 10.24 | 10.24 |
| c | 11.14 | 11.14 | 11.14 |
| d | 17.09 | 17.09 | 17.09 |
| e | 9.21 | 9.21 | 9.21 |
| f | 0.43 | 0.43 | 0.43 |
| g | 0.35 | 0.35 | 0.35 |
| h | 20.67 | 20.67 | 20.67 |

Switched and Interlocked Receptacles

FCB Window Series ■ Fusible Interlocked ■ 100 Amp; NEMA 4X; 12

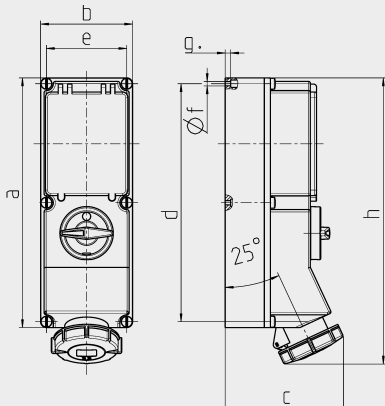


| Amp | Configuration | Voltage | MAX. HP RATING + | Catalog No. Fused | Catalog No. Circuit Breaker | Breaker Rated Interruption Capacity |
|-----|----------------|--------------------------|------------------|--|--|-------------------------------------|
| 20 | 3 Pole, 4 Wire | 3Ø250 | 5 | ME 420MIF9-JW ME 420MIF7-W | ME 420MICB9-10 ME 420MICB7-10 | 10kAIC 10kAIC |
| | | 3Ø480 | 10 | | | |
| 30 | 3 Pole, 4 Wire | 3Ø250 | 7.5 | ME 430MIF9-JW ME 430MIF7-JW | ME 430MICB9-10 ME 430MICB7-10 | 10kAIC 10kAIC |
| | | 3Ø480 | 15 | | | |
| 60 | 3 Pole, 4 Wire | 3Ø250 | 15 | ME 460MIF9-JW ME 460MIF7-JW | ME 460MICB9-10 ME 460MICB7-10 | 10kAIC 10kAIC |
| | | 3Ø480 | 30 | | | |
| | 4 Pole, 5 Wire | 3ØY277/480 | 15 | ME 530MIF7-JW | ME 530MICB7-10 | 10kAIC |
| | | 3ØY120/208 3ØY277/480 | 30 | | | |

+ Requires use of time delay fuses with fused Cat. Nos.

Compliances and Features:

- Switch: Standard 508; Industrial Control Equipment
- Receptacles: Standards 1682; 1686 Plugs and Receptacles, Pin and Sleeve Style
- IEC 60309-1; IEC 60309-2
- Environmental: NEMA Type 4X; 12
- UL94 - 5V Flame Rating
- UV Stabilized Material



Approximate Dimensions (in inches)

| | 20 Amp | | 30 Amp | | 60 Amp | |
|----|--------|--------|--------|--------|--------|--------|
| | 4 Wire | 4 Wire | 4 Wire | 5 Wire | 4 Wire | 5 Wire |
| a | 14.33 | 14.33 | 14.33 | 14.33 | 18.11 | 18.11 |
| b | 5.27 | 5.27 | 5.27 | 5.27 | 7.08 | 7.08 |
| c | 6.22 | 6.49 | 6.53 | 6.53 | 7.95 | 7.95 |
| d | 13.66 | 13.66 | 13.66 | 13.66 | 17.32 | 17.32 |
| e | 4.56 | 4.56 | 4.56 | 4.56 | 6.29 | 6.29 |
| Øf | 0.24 | 0.24 | 0.24 | 0.24 | 0.31 | 0.31 |
| g | 0.31 | 0.31 | 0.31 | 0.31 | 0.31 | 0.31 |
| h | 15.35 | 15.86 | 16.02 | 16.02 | 19.88 | 19.88 |

Switched and Interlocked Receptacles

HMI Series ■ Non-Fusible Interlocked ■ 20 Amp; NEMA 4X; 12

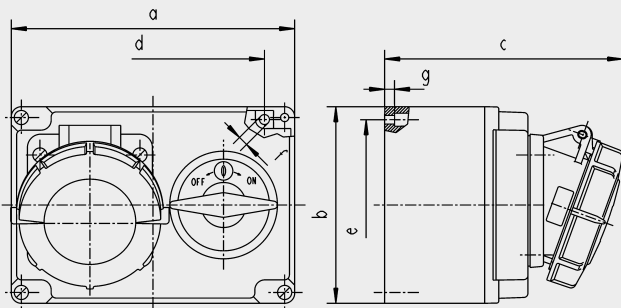


| Amp | Configuration | Voltage | HP Rating | Catalog No. * | Mating Plug Catalog No. |
|-----|----------------|------------|-----------|---|---|
| 20 | 2 Pole, 3 Wire | 125 | 1 | ME 320HMI4 ME 320HMI6 ME 320HMI7 | ME 320P4W ME 320P6W ME 320P7W |
| | | 250 | 2.5 | | |
| | | 480 | 5 | | |
| 20 | 3 Pole, 4 Wire | 125/250 | 1; 2.5 | ME 420HMI12 ME 420HMI9 ME 420HMI7 ME 420HMI5 | ME 420P12W ME 420P9W ME 420P7W ME 420P5W |
| | | 3Ø250 | 5 | | |
| | | 3Ø480 | 10 | | |
| | | 3Ø600 | 10 | | |
| 20 | 4 Pole, 5 Wire | 3ØY120/208 | 5 | ME 520HMI9 | ME 520P9W |

* Auxiliary Contact Option. Add suffix M2 to CAT. NO. 1 N/O; 1 N/C.

Compliances and Features:

- Switch: Standard 508; Industrial Control Equipment
- Receptacles: Standards 1682; 1686 Plugs and Receptacles, Pin and Sleeve Style
- IEC 60309-1; IEC 60309-2
- Environmental: NEMA Type 4X; 12
- UL94 - 5V Flame Rating
- UV Stabilized Material



Approximate Dimensions (in inches)

| | 2 Pole 3 Wire | 3 Pole 4 Wire | 4 Pole 5 Wire |
|---|------------------|------------------|------------------|
| a | 6.69 | 6.69 | 6.69 |
| b | 4.62 | 4.64 | 4.64 |
| c | 5.35 | 5.47 | 5.62 |
| d | 5.35 | 5.35 | 5.35 |
| e | 4.09 | 4.09 | 4.09 |
| f | 0.24 | 0.24 | 0.24 |
| g | 0.23 | 0.23 | 0.23 |

Switched and Interlocked Receptacles

SPEC Grade Stainless Steel Series ■ Non-Fusible Interlocked ■ 20, 30 Amp; NEMA 4X; 12

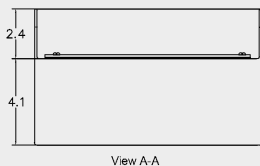
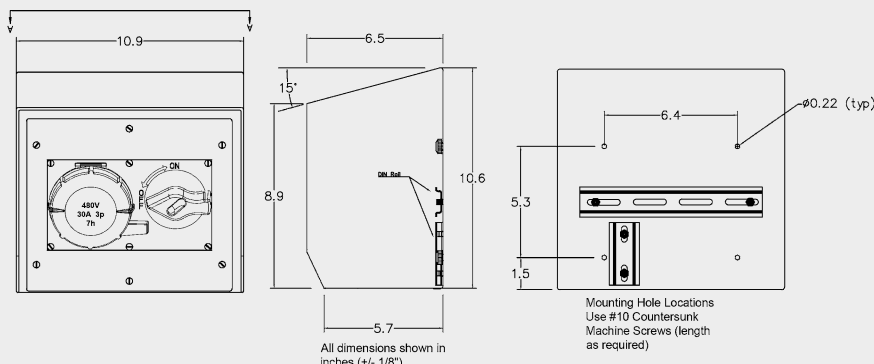


| Amp | Configuration | Voltage | HP Rating Standard | Receptacle Catalog No. | Mating Plug Catalog No. |
|-----|----------------|---|---------------------------------|--|--|
| 20 | 2 Pole, 3 Wire | 125 250 | 0.75 1.5 | ME 320SLPMI4 ME 320SLPMI6 | ME 320P4W ME 320P6W |
| | 3 Pole, 4 Wire | 125/250 3Ø250 3Ø480 3Ø600 | 0.75; 1.5 3 7.5 7.5 | ME 420SLPMI12 ME 420SLPMI9 ME 420SLPMI7 ME 420SLPMI5 | ME 420P12W ME 420P9W ME 420P7W ME 420P5W |
| | 4 Pole, 5 Wire | 3ØY120/208 3ØY277/480 3ØY347/600 | 3 7.5 7.5 | ME 520SLPMI9 ME 520SLPMI7 ME 520SLPMI5 | ME 520P9W ME 520P7W ME 520P5W |
| 30 | 2 Pole, 3 Wire | 125 250 | 1.5 3 | ME 330SLPMI4 ME 330SLPMI6 | ME 330P4W ME 330P6W |
| | 3 Pole, 4 Wire | 125/250 3Ø250 3Ø480 3Ø600 380-440 | 1.5; 3 7.5 15 15 10 | ME 430SLPMI12 ME 430SLPMI9 ME 430SLPMI7 ME 430SLPMI5 ME 432SLPMI3 | ME 430P12W ME 430P9W ME 430P7W ME 430P5W ME 432P3W-2175 |
| | 4 Pole, 5 Wire | 3ØY120/208 3ØY277/480 3ØY347/600 | 7.5 15 15 | ME 530SLPMI9 ME 530SLPMI7 ME 530SLPMI5 | ME 530P9W ME 530P7W ME 530P5W |

Optional Mounting Accessory: Stainless Steel Plate with 3/4" Stands-Offs, see page 74.

Compliances and Features:

- Standard 508; Industrial Control Equipment
- to CSA 22.2 No. 4-M91
- Standards 1682; 1686 - Plugs and Receptacles, Pin and Sleeve Style
- IEC 60309-1; IEC 60309-2
- Environmental: NEMA Type 4X; 12
- UL94 - 5V Flame Rating
- SCCR - 65kA RMS Symmetrical when protected with equally sized Class J Fuse
- UL Endurance Test:
10,000 Electrical Cycles, 15,000 Mechanical Cycles



Motor Disconnect Switches and Specialty Enclosures

Product information

Non-Metallic
or
Stainless Steel.



Motor Disconnect Switches and Specialty Enclosures

Product information

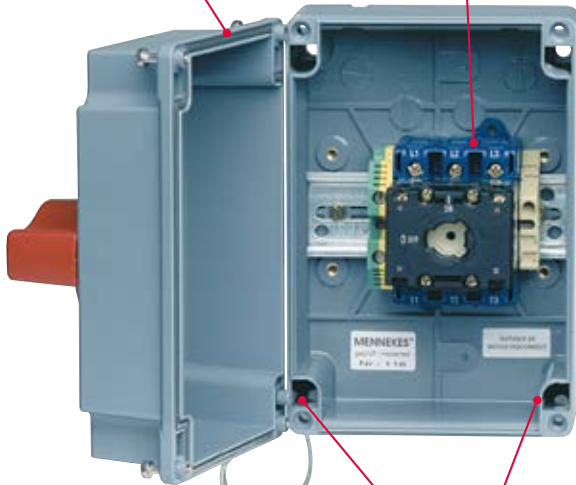
MENNEKES® offers a full line of both Non-Metallic and Stainless Steel Disconnect Switches.

Units range from 20 Amp - 200 Amp and are rated up to 150 HP @ 480 Vac. Several enclosure sizes and styles are available to maximize installation and design options.

Poured-in-place gasket never pulls out for a long lasting NEMA 4X seal.

HP rated disconnect switch with top profile auxiliary contacts for VFD Interface. DIN rail mounting facilitates installation and service requirements.

Impact modified enclosure is resistant to many chemicals and made with UL 94 V-O flame retardant materials.



Unit shown: ME 30MS1A-M2

Shown with optional cover retaining strap.

Mounting tubes minimize footprint; mounting feet are not required.

Captive stainless steel fixing screws.

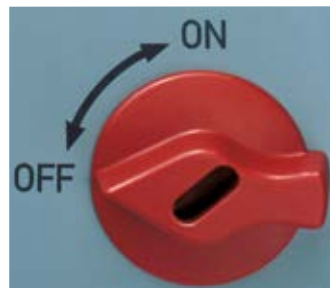
Rugged handle clearly indicates ON/OFF status & complies with OSHA LO/TO regulations.

Hidden Hinge System



Available on MS2A enclosure.

High Visibility Handle



Clean design does not "puddle" or hold particles.

Model with Installed Control Switch



Disconnects with 3-position selector switch are factory stocked.

Motor Disconnect Switches and Specialty Enclosures

HDI Series ■ Non-Fusible ■ 20 & 200 Amp; NEMA 4X; 12



| Rated Current 600V max. | HP Ratings | | | Catalog No. (with aux. contacts) | With Installed 3 Position Selector Switch |
|----------------------------|------------|--------|--------|-------------------------------------|--|
| | 3Ø240V | 3Ø480V | 3Ø600V | | |
| Standard Enclosure | | | | | |
| 25A | 3 | 5 | 5 | ME 20MS1A-M2 | ME 20MS4A-M2PSX |
| 30A | 7.5 | 15 | 15 | ME 30MS1A-M2 | - |
| 30A | 5 | 10 | 10 | ME 32MS1A-M2 | ME 30MS4A-M2PSX |
| 40A | 10 | 20 | 20 | ME 40MS1A-M2 | - |
| Large Enclosure | | | | | |
| 25A | 3 | 5 | 5 | ME 20MS2A-M2 | ME 20MS2A-M2PSX |
| 30A | 7.5 | 15 | 15 | ME 30MS2A-M2 | ME 30MS2A-M2PSX |
| 40A | 10 | 20 | 20 | ME 40MS2A-M2 | ME 40MS2A-M2PSX |
| 80A | 20 | 40 | 40 | ME 80MS2A-M2 | ME 80MS2A-M2PSX |
| 100A | 25 | 50 | 50 | ME 100MS2A-M2 | ME 100MS2A-M2PSX |
| 125A | 40 | 75 | 100 | ME 125MS3A-M2 | - |
| 200A | 75 | 150 | 200 | ME 200MS6A-M2 | - |
| 6 Pole Disconnects | | | | | |
| 30A | 7.5 | | 15 | ME 306MS2A-M2 | |
| 60A | 10 | | 20 | ME 606MS2A-M2 | |
| 80A | 20 | | 40 | ME 806MS3A-M2 | |

Auxiliary Contacts - 10 A@ 600 Vac 1 N/O & 1 N/C

Compliances and Performance:

- "Suitable as Motor Disconnect" per 2002 NEC Article 430-109(a)(6)
- Standard 508
- to CSA 22.2 No. 14-M95
- Environmental: NEMA Type 4X; 12
- Flame Rating: UL 94-5VA and VO
- UV Stabilized Material
- SCCR - 65kA RMS Symmetrical when protected with equally sized Class J Fuse

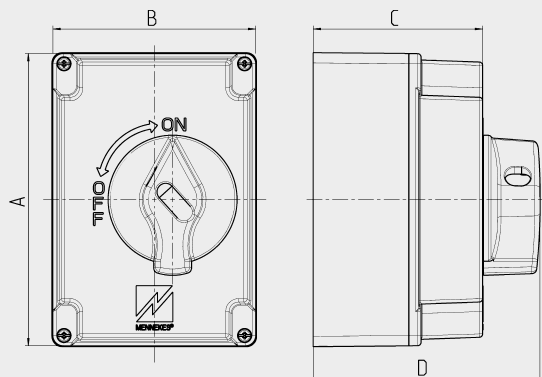
Field mountable auxiliary contact

1 N/O & 1 N/C

| For models with max. HP | Catalog No. |
|-------------------------|-------------|
| 5 hp & 10 hp | ME 20AUX |
| 15 hp & 20 hp | ME 30AUX |
| 40 hp & 50 hp | ME 80AUX |
| 100 hp | ME 125AUX |

Replacement Switches

| Ratings | Catalog No. |
|---------|---------------|
| 5 hp | ME 20XMS1-M2 |
| 10 hp | ME 32XMS1-M2 |
| 15 hp | ME 30XMS1-M2 |
| 20 hp | ME 40XMS2-M2 |
| 40 hp | ME 80XMS2-M2 |
| 50 hp | ME 100XMS2-M2 |
| 75 hp | ME 125XMS3-M2 |



Approximate Dimensions (in inches)

| | MS1A/MS4A | MS2A |
|---|-----------|-------|
| A | 6.69 | 10.31 |
| B | 4.63 | 6.56 |
| C | 3.81 | 5.03 |
| D | 5.23 | 6.25 |

For other enclosure sizes consult factory

Motor Disconnect Switches and Specialty Enclosures

FDS Non-Metallic Series ■ Fusible ■ 30, 60 & 100 Amp; NEMA 4X; 12



| Ampere Rating (general purpose) | UL Fuse Type (not provided) | 3 Ø HP RATINGS | | | | | | Catalog No. + |
|------------------------------------|--------------------------------|----------------|--------|--------|-----------|------|------|--------------------|
| | | Standard | | | Maximum * | | | |
| | | 3Ø240V | 3Ø480V | 3Ø600V | 208/240V | 480V | 600V | |
| 30A | J & CC+ | 3 | 5 | 7.5 | 7.5 | 15 | 20 | ME 30FDS2A |
| 60A | J | | | | 15 | 30 | 50 | ME 60FDS3A |
| 100A | J | | | | 30 | 60 | 75 | ME 100FDS3A |

+ Use CAT. NO. ME 30FDS2A-CC if CC fuse holder is required. Consult factory for delivery.

* Requires fuses with time-delay characteristics if starting current of motor is more than the standard horsepower rating.

Compliances and Performance:

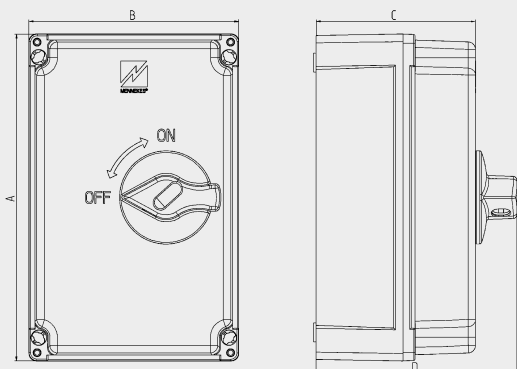
- Standard 98
- to CSA 22.2 No. 4-M89, Enclosure Switch
- Environmental: NEMA Type 4X; 12
- Flame Rating: UL 94-5VA and VO
- Continuous Operating Temperature -40°C to +60°C
- UV Resistance: Enclosure and Handle Materials are UV Stabilized
- UL Endurance Test: 6,000 Electrical Cycles / 10,000 Mechanical Cycles
- UL Minimum Short Circuit Rating: 100,000 RMS Symmetrical Amperes with Type J Fuses

Auxiliary Contacts

| Amp | Type | Catalog No. |
|-----|-----------------|--------------------|
| 30 | 1 N/O or 1 N/C | ME 30FDAUX |
| 60 | 1 N/O and 1 N/C | ME 60FDAUX |
| 100 | 1 N/O and 1 N/C | ME 100FDAUX |

Replacement Switches

| Description | Catalog No. |
|-------------|--------------------|
| 30 Amp | ME 30XFDSJ |
| 60 Amp | ME 60XFDSJ |
| 100 Amp | ME 100XFDSJ |



Approximate Dimensions (in inches)

| | 30 Amp | 60 Amp | 100 Amp |
|---|--------|--------|---------|
| A | 10.31 | 14.50 | 14.50 |
| B | 6.56 | 12.25 | 12.25 |
| C | 5.03 | 7.69 | 7.69 |
| D | 6.25 | 9.63 | 9.63 |

Motor Disconnect Switches and Specialty Enclosures

SPEC Grade Stainless Steel Series ■ Non-Fusible ■ 25, 30, 40, 60 & 100 Amp; NEMA 4X; 12



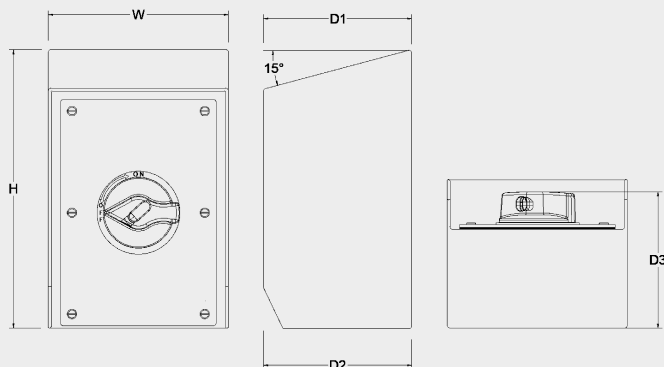
| Ampere Rating (General Purpose) | HP Ratings | | | | Catalog No. (with aux. contacts) | Replacement Switch Block |
|--------------------------------------|------------|-----|----------|----|-------------------------------------|--------------------------|
| | 240V | | 480/600V | | | |
| | 1Ø | 3Ø | 1Ø | 3Ø | | |
| Switch Block is Mounted to Cover. | | | | | | |
| 30A | 2.5 | 5 | 5 | 10 | ME 30SLP1A-M2 | ME 30XST1-M2 |
| 30A | 2.5 | 5 | 5 | 10 | ME 30SLP1A-M2V2 | ME 30XST1-M2 |
| Switch Block is Mounted to DIN Rail. | | | | | | |
| 25A | 1.5 | 3 | 3 | 5 | ME 20SLP2A-M2 | ME 20XLP2-M2 |
| 30A | 2.5 | 5 | 5 | 10 | ME 30SLP2A-M2 | ME 30XSLP-M2 |
| 40A | 3 | 7.5 | 7.5 | 15 | ME 40SLP2A-M2 | ME 40XSLP-M2 |
| 60A | 3 | 10 | 10 | 20 | ME 60SLP2A-M2 | ME 60XSLP-M2 |
| 100A | 15 | 25 | 30 | 50 | ME 100SLP3A-M2 | ME 100XSLP-M2 |
| 100A | 20 | 40 | 30 | 75 | ME 100SLP4A-M2 | ME 125XMS3-M2 |
| 6 Pole Disconnects. | | | | | | |
| 30A | 2.5 | 5 | 5 | 10 | ME 306SLP2A-M2 | |
| 30A | 2.5 | 5 | 5 | 10 | ME 306SLP3A-M2 | |

Auxiliary Contacts - 10 A @ 600 Vac 1 N/O & 1 N/C

Optional Mounting Accessory: Stainless Steel Plate with 3/4" Stands-Offs, see page 74.

Compliances and Performance:

- "Suitable as Motor Disconnect" per 2002 NEC Article 430-109(a)(6)
- Standard 508
- to CSA 22.2 No. 14-M95
- Environmental: NEMA Type 4X; 12
- UV Resistance: Handle Material is UV Stabilized
- In-House Endurance Testing: 10,000 Electrical Cycles / 100,000 Mechanical Cycles
- SCCR - 65kA RMS Symmetrical when protected with equally sized Class J Fuse
- Suitable as a Motor Disconnect per 2002 NEC Article 430-109(a)(6)



| Approximate Dimensions (in inches) | | | | |
|------------------------------------|----------------------------------|-------------------------------------|-------|-------|
| | Switch Block is Mounted to Cover | Switch Block is Mounted to DIN Rail | | |
| | SLP1A | SLP2A | SLP3A | SLP4A |
| D1 | 4.50 | 6.20 | 6.20 | 7.10 |
| D2 | 3.70 | 6.20 | 6.20 | 6.30 |
| D3 | 5.20 | 6.20 | 6.20 | 7.80 |
| H | 5.70 | 8.90 | 11.70 | 14.70 |
| W | 4.70 | 6.80 | 7.50 | 13.20 |

Motor Disconnect Switches and Specialty Enclosures


ST Stainless Steel Series ■ Non-Fusible ■ 20, 30, 60 & 100 Amp; NEMA 4X; 12



| Ampere Rating (General Purpose) | HP Ratings | | | | Catalog No. (with aux. contacts) | Replacement Switch Block (includes handle) |
|--|------------|-----|----------|----|-------------------------------------|---|
| | 240V | | 480/600V | | | |
| | 1Ø | 3Ø | 1Ø | 3Ø | | |
| Standard Enclosure (ST1A) - Switch is mounted to hinged door. | | | | | | |
| 30A | 2.5 | 5 | 5 | 10 | ME 30ST1A-M2 | ME 30XST1-M2 |
| Large Enclosure (ST2A) - Switch block is mounted to DIN Rail. Interlocked hinged door. | | | | | | |
| 25A | 1.5 | 3 | 3 | 5 | ME 20ST2A-M2 | ME 20XST2-M2 |
| 30A | 3 | 7.5 | 7.5 | 15 | ME 30ST2A-M2 | ME 30XST2-M2 |
| 60A | 5 | 10 | 10 | 20 | ME 60ST2A-M2 | ME 60XST2-M2 |
| X-Large Enclosure (ST3A) - Switch block is mounted to DIN Rail. Interlocked hinged door. | | | | | | |
| 100A | 15 | 25 | 30 | 50 | ME 100ST3A-M2 | ME 100XST3-M2 |
| 6 Pole Disconnects. | | | | | | |
| 30A | 2.5 | 5 | 5 | 10 | ME 306ST2A-M2 | |
| 6 Pole Double Throw Disconnects. | | | | | | |
| 30A | 2.5 | 5 | 5 | 10 | ME 306ST3A-M4AB | |
| 60A | 5 | 10 | 10 | 20 | ME 606ST3A-M4AB | |

Auxiliary Contacts - 10A @ 600 Vac 1 N/O & 1 N/C
Consult factory for units rated greater than 100A and 50 hp max.

Compliances and Performance:

-  Standard 508
- Environmental: NEMA Type 4X; 12
- UV Resistance: Handle Material is UV Stabilized
- In-House Endurance Testing: 10,000 Electrical Cycles / 100,000 Mechanical Cycles
- SCCR - 65kA RMS Symmetrical when protected with equally sized Class J Fuse

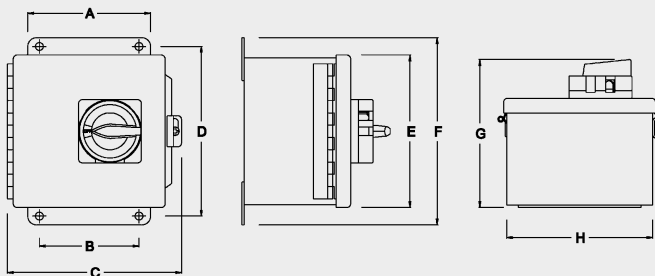
Field mountable auxiliary contact blocks

10A @ 600 VAC 1 N/O & 1 N/C

| For models with max. HP | Catalog No. |
|-------------------------|-------------------|
| 5 hp | ME 20AUX |
| 10 hp | ME 30FSAUX |
| 15 hp & 20 hp | ME 30AUX |
| 50 hp | ME 80AUX |

Replacement handles

| Description | Catalog No. |
|------------------|-------------------|
| ST1A Model | ME ST1A-RH |
| ST2A/ST3A Models | ME ST2A-RH |



Approximate Dimensions (in inches)

| | ST1A | ST2A | ST3A |
|---|------|------|-------|
| A | 3.00 | 5.00 | 7.00 |
| B | 2.00 | 4.00 | 6.00 |
| C | 4.94 | 6.94 | 8.94 |
| D | 6.75 | 6.75 | 10.75 |
| E | 6.00 | 6.00 | 10.00 |
| F | 7.50 | 7.50 | 11.50 |
| G | 5.95 | 5.95 | 5.95 |
| H | 4.00 | 6.00 | 8.00 |
| I | 4.35 | 4.35 | 4.35 |

Motor Disconnect Switches and Specialty Enclosures

STF Stainless Steel Series ■ Fusible ■ 30 & 60 Amp; NEMA 4X; 12



| Ampere Rating (General Purpose) | UL Fuse Type (not provided) | 3 Ø HP RATINGS | | | | | | Catalog No. |
|------------------------------------|-----------------------------|----------------|------|------|----------|------|------|-------------------|
| | | Standard | | | Maximum* | | | |
| | | 240V | 480V | 600V | 208/240V | 480V | 600V | |
| 30A | J & CC+ | 3 | 5 | 7.5 | 7.5 | 15 | 20 | ME 30STF1A |
| 60A | J | 7.5 | 15 | 15 | 15 | 30 | 50 | ME 60STF1A |

* Use Cat. No. ME 30STF1A-CC if CC fuse holder is required.

* Requires fuses with time-delay characteristics if starting current of motor is more than the standard horsepower.

Compliances and Performance:

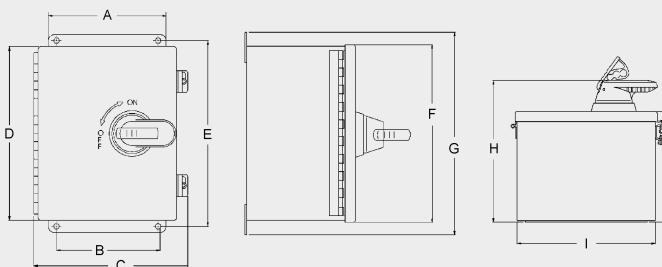
- Standard 98. Suitable as Branch Circuit Protective Device per NEC Article 430-109(a)(6)
- Environmental: NEMA Type 4X; 12
- Continuous Operating Temperature -40°C to +60°C
- UV Resistance: Handle Material is UV Stabilized
- UL Endurance Test: 6,000 Electrical Cycles / 10,000 Mechanical Cycles
- UL Minimum Short Circuit Rating: 100,000 RMS Symmetrical Amperes with Type J Fuses

Auxiliary Contacts

| Amp | Type | Catalog No. |
|-----|-----------------|-------------------|
| 30 | 1 N/O or 1 N/C | ME 30FDAUX |
| 60 | 1 N/O and 1 N/C | ME 60FDAUX |

Replacement handles

| Amp | Catalog No. |
|------------------|------------------|
| ST1A Model | ME STF-RH |
| ST2A/ST3A Models | ME STF-RH |



Approximate Dimensions (in inches)

| | Standard Enclosure |
|---|--------------------|
| A | 6.44 |
| B | 6.00 |
| C | 9.13 |
| D | 10.00 |
| E | 10.75 |
| F | 10.31 |
| G | 11.50 |
| H | 8.15 |
| I | 8.00 |
| K | 6.38 |


Motor Disconnect Switches and Specialty Enclosures

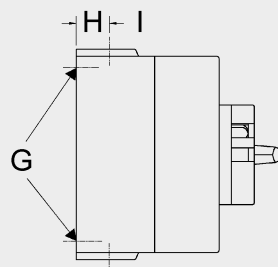
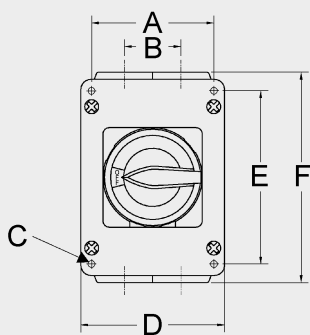
MS Series ■ Non-Fusible ■ 20, 30 & 40 Amp



| Amp | HP Ratings | | Catalog No. (with aux. contacts) | Catalog No. (without aux. con- tacts) |
|-----|------------|------------|-------------------------------------|---|
| | 3Ø240V | 3Ø480/600V | | |
| 25 | 3 | 5 | ME 20MS-M2 | ME 20MS |
| 30 | 7.5 | 15 | ME 30MS-M2 | ME 30MS |
| 60 | 10 | 20 | ME 40MS-M2 | ME 40MS |

Compliances and Performance:

- Suitable as Motor Disconnect per 1999 NEC Article 430-109(a)(6)
- Switch:  Standard 508
- Padlockable handle complies with OSHA LO/TO regulations



Approximate Dimensions (in inches)

| | Standard Enclosure |
|---|-----------------------|
| A | 3.07 |
| B | 1.42 |
| C | Ø 3/16 MTG. HOLES (4) |
| D | 3.62 |
| E | 4.33 |
| F | 5.31 |
| G | MTG. HOLES (4) |
| H | 0.83 |
| I | 3/4" NPT Entry (4) |

Motor Disconnect Switches and Specialty Enclosures


FS Series ■ Non-Fusible ■ 30 Amp

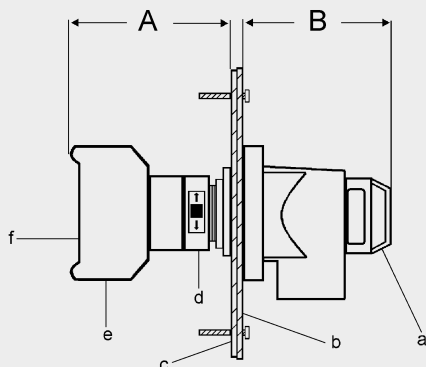


| Amp | HP Ratings | | | | | | Catalog No. | | | |
|-----|------------|----|------|----|----------|----|--------------------|------------------|------------------------|------------------|
| | 120V | | 240V | | 480/600V | | With FS Plate* | | Handle and Switch only | |
| | 1Ø | 3Ø | 1Ø | 3Ø | 1Ø | 3Ø | With aux. contacts | No aux. contacts | With aux. contacts | No aux. contacts |
| 30 | 1 | 2 | 2.5 | 5 | 5 | 10 | ME 30FSP-M2 | ME 30FSP | ME 30FS-M2 | ME 30FS |

Shown with Weatherproof FS Plate.

Compliances and Performance:

- Suitable as Motor Disconnect per 1999 NEC Article 430-109(a)(6)
- Switch:  Standard 508
- Padlockable handle complies with OSHA LO/TO regulations



Approximate Dimensions (in inches)

| | Dimensions | Description |
|---|------------|--|
| A | 2.45 | a - padlockable handle |
| B | 1.75 | b - FS plate pre-drilled with installed handle |
| | | c - gasket |
| | | d - lock/release mechanism to attach switch body to plate and handle |

Motor Disconnect Switches and Specialty Enclosures

SPEC Grade Stainless Steel Series ■ Pushbutton Enclosures, Junction Boxes ■ NEMA 4X; 12

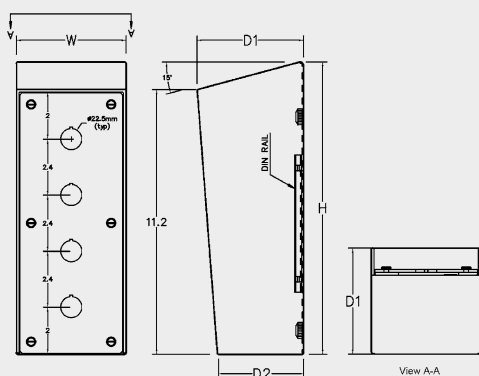


| Number of Holes | Hole Size (mm) | Catalog No. |
|-----------------|----------------|-------------|
| 1 | 22.5 | SLPB1A |
| 1 | 30.5 | SLPB1A-30.5 |
| 2 | 22.5 | SLPB2A |
| 2 | 30.5 | SLPB2A-30.5 |
| 3 | 22.5 | SLPB3A |
| 3 | 30.5 | SLPB3A-30.5 |
| 4 | 22.5 | SLPB4A |
| 4 | 30.5 | SLPB4A-30.5 |

Compliances and Performance:

- cUL_{US} Listed to UL 50/50E - CSA 22.2 No. 94
- Type 4X, 12, 3R and IP 66

Optional Mounting Accessory: Stainless Steel Plate with 3/4" Stands-Offs, see page 74.



Approximate Dimensions (in inches)

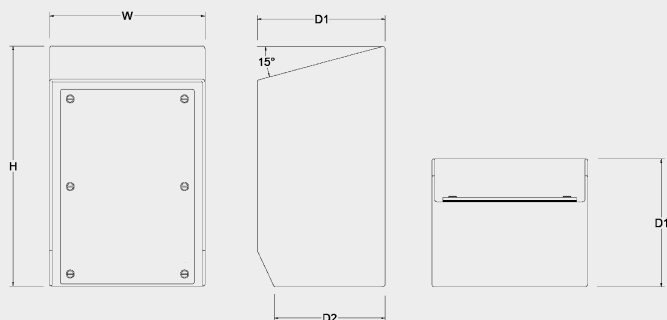
| | Catalog No. | | | |
|-----------|-------------|--------|--------|--------|
| | SLPB1A | SLPB2A | SLPB3A | SLPB4A |
| D1 | 4.50 | 4.50 | 4.50 | 4.50 |
| D2 | 3.70 | 3.70 | 3.70 | 3.70 |
| H | 5.70 | 7.60 | 10.00 | 12.30 |
| W | 4.70 | 4.70 | 4.70 | 4.70 |
| #PB HOLES | 1 | 2 | 3 | 4 |



| Size | Catalog No. |
|------------|-------------|
| Small | SLP1A-BLK |
| Medium | SLP2AV2-BLK |
| Large | SLP3A-BLK |
| Horizontal | SLPMI-BLK |

Compliances and Performance:

- cUL_{US} Listed to UL 50/50E - CSA 22.2 No. 94
- Type 4X, 12, 3R and IP 66



Approximate Dimensions (in inches)

| | Catalog No. | | | |
|----|-------------|-------------|-----------|-----------|
| | SLP1A-BLK | SLP2AV2-BLK | SLP3A-BLK | SLPMI-BLK |
| D1 | 4.50 | 5.30 | 6.20 | 6.50 |
| D2 | 3.70 | 4.50 | 5.40 | 5.70 |
| H | 5.70 | 8.00 | 11.70 | 10.60 |
| W | 4.70 | 6.50 | 7.50 | 10.90 |

UL 1686 Configured Switched Receptacles and Plugs

Product information

Safer.
Easier.
Better.



UL 1686 Configured Switched Receptacles and Plugs

Product information

MENNEKES® MSR Series Interlocked Receptacles.

Generous wiring space facilitates field installation.

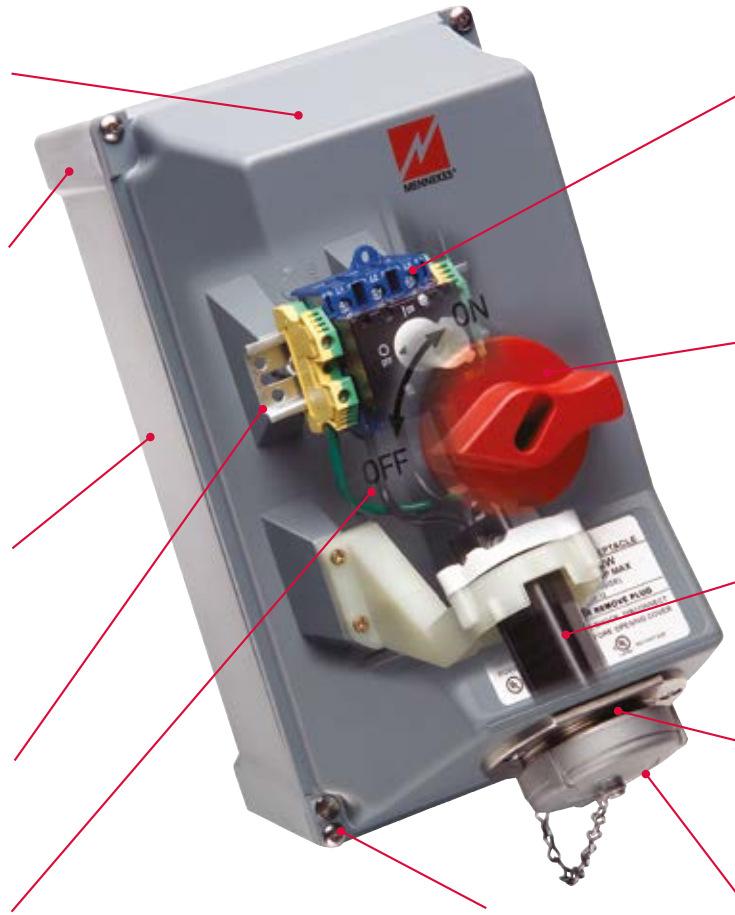
Corner mounting tubes minimize mounting footprint. Moveable mounting feet also provided.



Impact modified NEMA 4X Valox enclosure resistant to harsh environments. Features poured-in-place gasket for the ultimate seal.

DIN rail and screw mounting of components allow for ease of maintenance.

Factory wired, switch to receptacle.



Heavy-duty HP rated switch provides convenient access to field wiring terminals.

High visibility, pad-lockable handle actuates switch and receptacle interlock mechanism to assure "no-load" make and break of plug connected equipment.

Thermoset receptacle to UL 1686 C1 configurations; UL Classified for combination use with competing brand plugs.

Threaded stainless steel ring provides NEMA 4X rating with locking plugs.

Dust tight and watertight rated cover; field replaceable.



Hidden hinge system eliminates sanitation concerns.

Features and benefits

- **Factory Wired - Single Unit Construction** - Receptacle is pre-wired to the switch for quick installation. Mount with moveable mounting feet to allow for irregular surfaces or utilize the internal mounting tubes when mounting area is limited.
- **Switch** - Available non-fusible and fusible. Self-cleaning contacts are driven by solid bridge bar to prevent single phasing of motors. Quick-Make/Quick-Break action provides long electrical life. Positive opening operation protects personnel from welded contacts.
- **NEMA 4X;12 Enclosure** - Uses poured-in seamless gasket and stainless fixing screws for the ultimate seal. Impact modified Valox enclosure is resistant to harsh environments. Hidden Hinge System eliminates sanitation concerns.
- **Padlockable Handle** - Rugged high visibility design to comply with OSHA LO/TO requirements. (Reg. 1910.147).
- **Auxiliary Contacts** - Full range available in N/O and N/C style.

UL 1686 Configured Switched Receptacles and Plugs

MSR Series ■ Fusible ■ 30 & 60 Amp



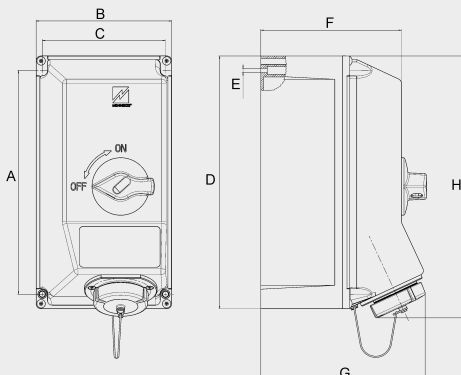
| Amp | Configuration | Voltage | Single Phase (Volts) | | Three Phase (Volts) HP Ratings | | | | Catalog No. | Mating Plug Catalog No. |
|-----|----------------|---------|----------------------|-----|--------------------------------|-----|-----|-----|----------------------|-------------------------|
| | | | 120 | 240 | 208 | 240 | 480 | 600 | | |
| 30 | 4 Pole, 3 Wire | 600 | 2 | 3 | 7.5 | 7.5 | 15 | 20 | MSR 430MIFS2W | ME 3034NM |
| 60 | 4 Pole, 3 Wire | 600 | - | 7.5 | 15 | 15 | 30 | 50 | MSR 460MIFS2W | ME 6034NM |

Ratings:

- Receptacles 30A & 60A, 600 VAC in 3 Wire, 4 Pole
- Grounding: Style 2
- Switch: Fusible w/Type J Fuse Clips
- Short Circuit: 100kAIC w/Fuses

Compliances and Features:

- Standards 98; 1682 & 1686 C1 Pin and Sleeve Style
- to CSA Standard C22.2 No. 4-M89, Enclosed Switches
- Environmental: NEMA Type 4X, 12
- Enclosure Material: Valox with Nylon Handle
- Hardware: Stainless Steel and Ni plated Brass
- Insulator: Thermoset Polyester
- Contacts: Brass with Beryllium Copper Spring
- Gasket: Fermapor Polyurethane & NBR
- Receptacle Cover: Cu free Aluminium with Epoxy Power Coat
- UV Stabilized Enclosure and Gasket Materials



Approximate Dimensions (in inches)

| | 30A | 60A |
|---|-------|-------|
| A | 11.50 | 11.50 |
| B | 7.00 | 7.00 |
| C | 6.34 | 6.34 |
| D | 13.00 | 13.00 |
| E | .20 | .20 |
| F | 7.23 | 7.23 |
| G | 8.45 | 8.93 |
| H | 13.46 | 14.45 |

UL 1686 Configured Switched Receptacles and Plugs

MSR Series ■ Non-Fusible ■ 30 & 60 Amp



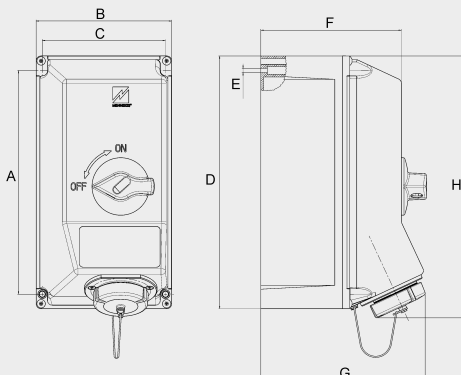
| Amp | Configuration | Voltage | Single Phase (Volts) | | Three Phase (Volts) HP Ratings | | | | Catalog No. | Mating Plug Catalog No. |
|-----|----------------|---------|----------------------|-----|--------------------------------|-----|-----|-----|---------------------|-------------------------|
| | | | 120 | 240 | 208 | 240 | 480 | 600 | | |
| 30 | 4 Pole, 3 Wire | 600 | 2 | 5 | 10 | 10 | 20 | 20 | MSR 430MIS2W | ME 3034NM |
| 60 | 4 Pole, 3 Wire | 600 | 3 | 10 | 20 | 20 | 40 | 50 | MSR 460MIS2W | ME 6034NM |

Ratings:

- Receptacles 30A & 60A, 600 VAC in 3 Wire, 4 Pole
- Grounding: Style 2
- Switch: Heavy Duty, 600VAC Capable
- SCCR - 65kA RMS Symmetrical when protected with equally sized Class J Fuse

Compliances and Features:

- Standards 508; 1682 & 1686 C1 Pin and Sleeve Style
- to CSA Standard C22.2 No. 14-M95
- Environmental: NEMA Type 4X, 12
- Enclosure Material: Valox with Nylon Handle
- Hardware: Stainless Steel and Ni plated Brass
- Insulator: Thermoset Polyester
- Contacts: Brass with Beryllium Copper Spring
- Gasket: Fermapor Polyurethane & NBR
- Receptacle Cover: Cu free Aluminium with Epoxy Power Coat
- UV Stabilized Enclosure and Gasket Materials



Approximate Dimensions (in inches)

| | 30A | 60A |
|---|-------|-------|
| A | 11.50 | 11.50 |
| B | 7.00 | 7.00 |
| C | 6.34 | 6.34 |
| D | 13.00 | 13.00 |
| E | .20 | .20 |
| F | 7.23 | 7.23 |
| G | 8.45 | 8.93 |
| H | 13.46 | 14.45 |


UL 1686 Configured Switched Receptacles and Plugs

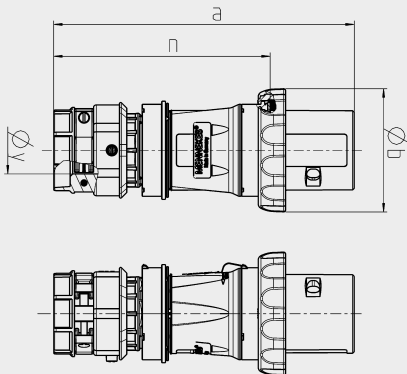
AM-Tite Series ■ Non-Metallic ■ 30 & 60 Amp



| Ratings | Catalog No. |
|-------------------|------------------|
| 30A 3W 4P 600 VAC | ME 3034NM |
| 60A 3W 4P 600 VAC | ME 6034NM |

Compliances and Features:

-  Listed to 1682; 1686
- Environmental: Type 4X; 12
- Configuration: 30A & 60A 3W 4P Style 2 Ground (C1)
- Housing Material: Impact Modified PBT Polyester
- Hardware: Stainless Steel or Ni Plated
- Outdoor Use: UV Stabilized Enclosure and Gasket Materials



Approximate Dimensions (in inches)

| | 30 Amp | 60 Amp |
|---------------|-------------|-------------|
| A | 7.362 | 9.646 |
| B | 2.481 | 3.937 |
| N | 5.709 | 6.850 |
| Y | | |
| Cord Diameter | 0.45 - 1.12 | 0.50 - 1.45 |



Strain Relief

Assembly accommodates wide cable range which easily threads into NPT enclosure.

Rugged Housing

Offers outstanding insulation for user safety. Innovative design and engineered materials provide a durable alternative to traditional metal products.

Coarse Rugged Threading

Facilitates quick assembly and eliminates threading issues associated with metal enclosures.

Sure-grip Rubberized Locking Ring

Provides high impact protection and NEMA 4X Rating.

Accessories and Replacement Parts



Back Box ordering information

| Device Type | Metallic Back Box | | | | Non-Metallic Back Box | | | |
|-------------------|-------------------------|--------------------------|---------|-------|-------------------------|--------------------------|----------|-------|
| | Catalog No. Std. Flange | Catalog No. Large Flange | NPT Hub | Angle | Catalog No. Std. Flange | Catalog No. Large Flange | NPT Hub* | Angle |
| 20/30A Receptacle | 2030BBW-1 | 2030BBW-2 | 1" | 15° | 2030BBWP-1 | 2030BBWP-2 | 1" | 20° |
| 20/30A Inlet | 2030BBW-1 | 2030BBW-2 | 1" | 15° | 2030BBWP-1 | 2030BBWP-2 | 1" | 20° |
| 60A Receptacle | 60BBW-1 | 60BBW-2 | 1 1/2" | 15° | 60BBWP-1 | 60BBWP-2 | 1 1/4" | 20° |
| 60A Inlet | N/A | 60BBW-2 | 1 1/2" | 15° | N/A | 60BBWP-2 | 1 1/4" | 20° |
| 100A Receptacle | 100BBW-1 | 100BBW-2 | 2" | 15° | N/A | 100BBWP-2 | 2" | 20° |
| 100A Inlet | 100BBW-1 | 100BBW-2 | 2" | 15° | N/A | 100BBWP-2 | 2" | 20° |

*Rough-in hole; hub not provided



Protective Cap ordering information

| Amp | # of wires | Dimensions (in Inches) | Catalog No. |
|-----|------------|------------------------|-------------------|
| 20 | 3 | 2.76 x 1.61 | ME 320CAP |
| 20 | 4 | 3.11 x 1.61 | ME 420CAP |
| 20 | 5 | 3.39 x 1.65 | ME 520CAP |
| 30 | 3,4 | 3.58 x 2.01 | ME 3430CAP |
| 30 | 5 | 3.90 x 2.05 | ME 530CAP |
| 60 | 3, 4, 5 | 4.25 x 2.87 | ME 60CAP |
| 100 | 3, 4, 5 | 4.69 x 3.11 | ME 100CAP |



Adapter plate

| Amp | Wire | Dimensions (in Inches) | Catalog No. |
|-----|---------|------------------------|-----------------|
| 20 | 3, 4, 5 | 3.75 x 3.75 x 0.40 | ME 19821 |
| 30 | 3, 4, 5 | 3.75 x 3.75 x 0.40 | ME 19821 |

For use with Receptacles and Inlets for Industry Standard Back Box Mounting Footprint.

Accessories and Replacement Parts



Plug guard

Lockout / Tagout device for use on any IEC 60309-2 Pin & Sleeve Plug or Inlet.

Catalog No. **ME PG1**

Replacement Switches for HDI Motor Disconnect Switches

| For Models with max. HP | Catalog No. |
|-------------------------|----------------------|
| 5 hp | ME 20XMS1-M2 |
| 10 hp | ME 32XMS1-M2 |
| 15 hp | ME 30XMS1-M2 |
| 20 hp | ME 40XMS2-M2 |
| 40 hp | ME 80XMS2-M2 |
| 50 hp | ME 100XMS2-M2 |

Replacement Covers for Motor Disconnect Switches

| Enclosure Type | Catalog No. |
|----------------|------------------|
| MS1A | ME MS1-RC |
| MS4A | ME MS4-RC |
| MS2A | ME MS2-RC |
| MS5A | ME MS5-RC |

Field mountable Auxiliary Contact Blocks 1 N/O & 1 N/C for Motor Disconnect Switches

| For Models with max. HP | Catalog No. |
|-------------------------|-----------------|
| 5 hp & 10 hp | ME 20AUX |
| 15 hp & 20 hp | ME 30AUX |
| 40 hp & 50 hp | ME 80AUX |

Field installable Hinge Kits for Motor Disconnect Switches

| Enclosure Type | Catalog No. |
|----------------|--------------------|
| MS1A; MS4A | ME 106061 |
| MS2A; MS5A | ME 19307000 |

Mounting Feet Kits for Motor Disconnect Switches

| Enclosure Type | Catalog No. |
|----------------|-------------------|
| MS1A; MS4A | ME 236MIMF |
| MS2A; MS5A | ME MS2MF |

Stainless Steel Mounting Plates with Stand-Offs for SPEC Grade Series

(Provided with Stainless Steel 3/4" Stand-Offs and Enclosure Mounting Screws)

| For Models | Catalog No. |
|--|-----------------------|
| ME 30SLP1A-M2; SLPB1A; SLPB1A-30.5 | PB1-MP-KIT |
| ME 30SLP1A-M2V2; SLPB2A; SLPB2A-30.5 | SLP1AV2-MP-KIT |
| ME 20SLP2A-M2; ME 30SLP2A-M2; ME 40SLP2A-M2; ME 60SLP2A-M2 | SLP2A-MP-KIT |
| ME 30SLP2A-M2V2; ME 40SLP2A-M2V2 | SLP2AV2-MP-KIT |
| ME 100SLP3A-M2 | SLP3A-MP-KIT |
| ALL SLPMI PART NOS. AND SPX1A ASSEMBLIES | SLPMI-MP-KIT |

Service

Proven Quality



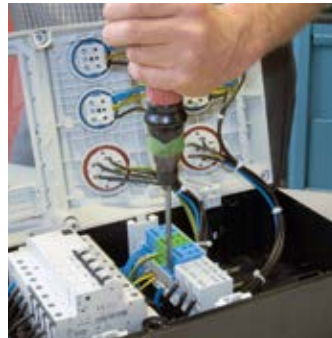
Endurance Test

When a MENNEKES product leaves our factory, it has already withstood the harshest testing. In our test lab it is exposed to cold, heat, dust and water over and over again. Only the products that withstand these tests are worthy of the name MENNEKES.

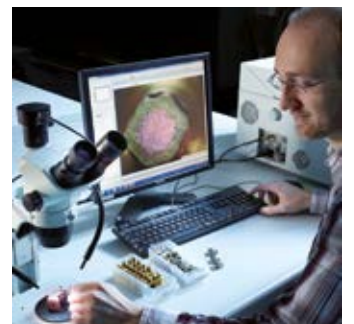
As a specialist for plug and receptacle devices, we have our own approved test lab where our products are tested again and again until we are convinced that they can permanently withstand the harshest environments.

Our products are certified to national and international standards by renowned institutions. Our international quality management system is certified to DIN EN ISO 9001.

The combination of first-class raw materials and advanced manufacturing processes guarantees a premium product. This is why we use only first-grade resins, which are processed by a highly skilled workforce in state-of-the-art production facilities to create certified MENNEKES products.



We guarantee the high quality standard of our products by our own test laboratory. This laboratory is approved and will be used for product tests of our products to get test marks acc. to IEC 60309 by approval authorities like the VDE etc.



Service

Industry Applications

The right combination for each application.



Service

Industry Applications



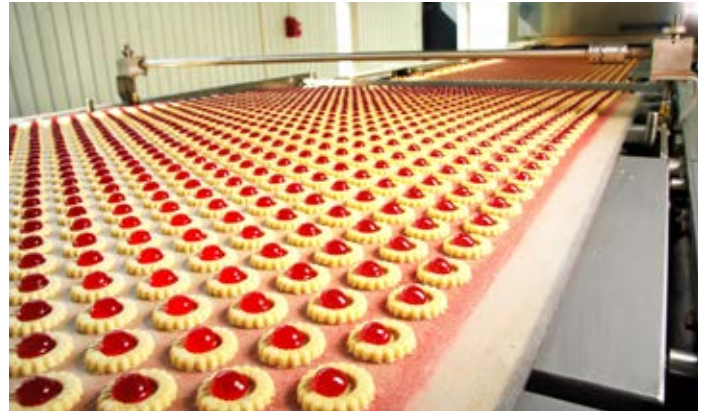
Welding & Automotive



Pharmaceutical & Clean Rooms



Energy



Food Processing & Conveyors



Construction Sites



Outdoor Festivals & Amusements



Wineries & Breweries



Agriculture & Farming

| Catalog No. | Page | Catalog No. | Page | Catalog No. | Page | Catalog No. | Page |
|------------------|------|------------------|----------------|--------------|--------|-------------------|------|
| 100BBW | 73 | ME 100FDS3A | 61 | ME 3100P6W | 21 | ME 40MS1A-M2 | 60 |
| 100BBW-P/L | 73 | ME 100MIX | 54 | ME 3100P7W | 21 | ME 40MS2A-M2 | 60 |
| 2030BBW | 73 | ME 100MS2A-M2 | 60 | ME 3100R4W | 15 | ME 40MS2A-M2PSX | 60 |
| 2030BBW-P | 73 | ME 100MS2A-M2PSX | 60 | ME 3100R4W-L | 15 | ME 40MS-M2 | 65 |
| 60BBW | 73 | ME 100ST3A-M2 | 63 | ME 3100R6W | 15 | ME 40SLP2A-M2 | 62 |
| 60BBW-1 | 73 | ME 100XFDSJ | 61 | ME 3100R6W-L | 15 | ME 40XMS1-M2 | 60 |
| 60BBW-P | 73 | ME 100XMS2-M2 | 60 | ME 3100R7W | 15 | ME 40XMS2-M2 | 74 |
| 60BBW-P/L | 73 | ME 100XMS2-M2 | 74 | ME 3100R7W-L | 15 | ME 40XSLP-M2 | 62 |
| AMX-15696 | 48 | ME 125XMS3-M2 | 62 | ME 320B4W | 16 | ME 4100B12R | 26 |
| AMX1A-910380 | 32 | ME 100XST3-M2 | 63 | ME 320B6W | 16 | ME 4100B12R-L | 26 |
| AMX1A-910381 | 32 | ME 106061 | 74 | ME 320B7W | 16 | ME 4100B12W | 19 |
| AMX1A-910383 | 33 | ME 125AUX | 60 | ME 320C4W | 22 | ME 4100B12W-L | 19 |
| AMX1A-910384 | 32 | ME 125MS3A-M2 | 60 | ME 320C6W | 22 | ME 4100B5W | 19 |
| AMX1A-910385 | 32 | ME 125XMS3-M2 | 60 | ME 320C7W | 22 | ME 4100B5W-L | 19 |
| AMX1A-910386 | 33 | ME 19307000 | 74 | ME 320CAP | 73 | ME 4100B6W-L | 19 |
| AMX1A-919003 | 33 | ME 19821 | 73 | ME 320HMI4 | 56 | ME 4100B7W | 19 |
| AMX1A-919011 | 33 | ME 200MS6A-M2 | 60 | ME 320HMI6 | 56 | ME 4100B7W-L | 19 |
| AMX2A-360MI6 | 34 | ME 20AUX | 60, 63, 74 | ME 320HMI7 | 56 | ME 4100B9W | 19 |
| AMX2A-360MI6DPLX | 34 | ME 20MIX | 52 | ME 320P4W | 20 | ME 4100B9W-L | 19 |
| AMX2A-360MI6GFI | 34 | ME 20MS | 65 | ME 320P6W | 20 | ME 4100C 12M | 27 |
| AMX2A-360MI6GFIU | 34 | ME 20MS1A-M2 | 60 | ME 320P7W | 20 | ME 4100C 12R | 26 |
| AMX2A-460MI7 | 36 | ME 20MS2A-M2 | 60 | ME 320R4W | 12 | ME 4100C 12W | 23 |
| AMX2A-460MI7DPLX | 36 | ME 20MS2A-M2PSX | 60 | ME 320R4W-L | 12 | ME 4100C5W | 23 |
| AMX2A-460MI7GFIU | 36 | ME 20MS4A-M2PSX | 60 | ME 320R6W | 12 | ME 4100C6W | 23 |
| AMX2A-460MI9 | 35 | ME 20MS-M2 | 65 | ME 320R6W-L | 12 | ME 4100C6W | 25 |
| AMX2A-460MI9DPLX | 35 | ME 20SLP2A-M2 | 62 | ME 320R7W | 12 | ME 4100C7W | 23 |
| AMX2A-460MI9GFI | 35 | ME 20ST2A-M2 | 63 | ME 320R7W-L | 12 | ME 4100C9W | 23 |
| AMX2A-460MI9GFIU | 35 | ME 20XLP2-M2 | 62 | ME 320SLPMI4 | 57 | ME 4100MI12 | 54 |
| AMX2A-921399 | 38 | ME 20XMS1-M2 | 60, 74 | ME 320SLPMI6 | 57 | ME 4100MI5 | 54 |
| AMX2A-921499 | 37 | ME 20XST2-M2 | 63 | ME 32MS1A-M2 | 60 | ME 4100MI7 | 54 |
| AMX2A-922087 | 37 | ME 236MIMF | 74 | ME 32XMS1-M2 | 60, 74 | ME 4100MI9 | 54 |
| AMX2A-922088 | 38 | ME 3034NM | 72 | ME 330B4W | 17 | ME 4100P12M | 27 |
| AMX2A-929021 | 36 | ME 306SLP2A-M2 | 62 | ME 330B6W | 17 | ME 4100P12W | 21 |
| AMX2A-929045 | 37 | ME 306SLP3A-M2 | 62 | ME 330B7W | 17 | ME 4100P5W | 21 |
| AMX2A-929067 | 37 | ME 30AUX | 52, 60, 63, 74 | ME 330C4W | 22 | ME 4100P6W | 20 |
| AMX2A-929082 | 38 | ME 30FDAUX | 53, 61, 64 | ME 330C6W | 22 | ME 4100P6W-62340C | 25 |
| AMX2A-929083 | 38 | ME 30FDS2A | 61 | ME 330C7W | 22 | ME 4100P7W | 21 |
| AMX2A-929084 | 39 | ME 30FS | 66 | ME 330MI4 | 52 | ME 4100P9W | 21 |
| AMX2A-929085 | 39 | ME 30FSAUX | 63 | ME 330MI6 | 52 | ME 4100R12M | 27 |
| AMX3A-932238 | 40 | ME 30FS-M2 | 66 | ME 330MI7 | 52 | ME 4100R12M-L | 27 |
| AMX3A-932239 | 39 | ME 30FSP | 66 | ME 330MIF6 | 53 | ME 4100R12W | 15 |
| AMX3A-932976 | 40 | ME 30FSP-M2 | 66 | ME 330P4W | 20 | ME 4100R12W-L | 15 |
| AMX3A-933222 | 41 | ME 30MIFX | 53 | ME 330P6W | 20 | ME 4100R5W | 15 |
| AMX3A-933224 | 41 | ME 30MIX | 52 | ME 330P7W | 20 | ME 4100R5W-L | 15 |
| AMX3A-939003 | 39 | ME 30MS | 65 | ME 330R4W | 13 | ME 4100R6W-L | 15 |
| AMX3A-939060 | 40 | ME 30MS1A-M2 | 60 | ME 330R4W-L | 13 | ME 4100R6W-L | 25 |
| AMX3A-939061 | 40 | ME 30MS2A-M2 | 60 | ME 330R6W | 13 | ME 4100R7W | 15 |
| AMX3A-939064 | 41 | ME 30MS2A-M2PSX | 60 | ME 330R6W-L | 13 | ME 4100R7W-L | 15 |
| AMX3A-939065 | 41 | ME 30MS4A-M2PSX | 60 | ME 330R7W | 13 | ME 4100R9W | 15 |
| AMX3A-939223 | 42 | ME 30MS-M2 | 65 | ME 330R7W-L | 13 | ME 4100R9W-L | 15 |
| AMX3A-939225 | 42 | ME 30SLP1A-M2 | 62 | ME 330SLPMI4 | 57 | ME 420B12W | 16 |
| AMX4A-942988 | 43 | ME 30SLP1A-M2V2 | 62 | ME 330SLPMI6 | 57 | ME 420B5W | 16 |
| AMX4A-942998 | 42 | ME 30SLP2A-M2 | 62 | ME 3430CAP | 73 | ME 420B6W | 16 |
| AMX4A-943007 | 43 | ME 30ST1A-M2 | 63 | ME 360B4W | 18 | ME 420B7W | 16 |
| AMX4A-943008 | 42 | ME 30ST2A-M2 | 63 | ME 360B4W-L | 18 | ME 420B9W | 16 |
| AMX4A-943233 | 44 | ME 30STF1A | 64 | ME 360B6W | 18 | ME 420C12W | 22 |
| AMX4A-943234 | 45 | ME 30XFDSJ | 61 | ME 360B6W-L | 18 | ME 420C5W | 22 |
| AMX4A-943235 | 44 | ME 30XMS1-M2 | 60, 74 | ME 360B7W | 18 | ME 420C6W | 22 |
| AMX4A-943236 | 45 | ME 30XST1-M2 | 63, 62 | ME 360B7W-L | 18 | ME 420C7W | 22 |
| AMX4A-949032 | 43 | ME 30XSLP-M2 | 62 | ME 360C4W | 23 | ME 420C9W | 22 |
| AMX4A-949034 | 43 | ME 30XST2-M2 | 63 | ME 360C6W | 23 | ME 420C9W | 22 |
| AMX4A-949035 | 44 | ME 30XSTF | 64 | ME 360C7W | 23 | ME 420CAP | 73 |
| AMX4A-949036 | 44 | ME 3100B4W | 19 | ME 360C7W | 23 | ME 420HMI12 | 56 |
| AMX5A-951176 | 46 | ME 3100B4W-L | 19 | ME 360MI6 | 52 | ME 420HMI5 | 56 |
| AMX5A-951178 | 45 | ME 3100B6W | 19 | ME 360MI7 | 52 | ME 420HMI7 | 56 |
| AMX5A-951183 | 46 | ME 3100B6W-L | 19 | ME 360MIF6 | 53 | ME 420HMI9 | 56 |
| AMX5A-951184 | 45 | ME 3100B7W | 19 | ME 360P4W | 21 | ME 420MI12 | 52 |
| AMX5A-951484 | 47 | ME 3100B7W-L | 19 | ME 360P6W | 21 | ME 420MI5 | 52 |
| AMX5A-959061 | 47 | ME 3100C4W | 23 | ME 360P7W | 21 | ME 420MI7 | 52 |
| AMX5A-959063 | 47 | ME 3100C6W | 23 | ME 360R4W | 14 | ME 420MI9 | 52 |
| AMX5A-959064 | 47 | ME 3100C7W | 23 | ME 360R4W-L | 14 | ME 420MICB7-10 | 55 |
| AMX5A-959083 | 46 | ME 3100MI4 | 54 | ME 360R6W | 14 | ME 420MICB9-6 | 55 |
| AMX5A-959087 | 46 | ME 3100MI6 | 54 | ME 360R6W-L | 14 | ME 420MIF7-W | 55 |
| ME 100CAP | 73 | ME 3100MI7 | 54 | ME 360R7W | 14 | ME 420MIF9-JW | 55 |
| ME 100FDAUX | 61 | ME 3100P4W | 21 | ME 360R7W-L | 14 | ME 420P12W | 20 |
| | | | | ME 40MS | 65 | ME 420P5W | 20 |

| Catalog No. | Page | Catalog No. | Page | Catalog No. | Page | Catalog No. | Page |
|----------------|------|-------------------|------|------------------|------|-----------------|--------------------|
| ME 420P6W | 20 | ME 460C7W | 23 | ME 520C7W | 22 | ME 560P9W | 21 |
| ME 420P7W | 20 | ME 460C9W | 23 | ME 520C7W | 22 | ME 560R5W | 14 |
| ME 420P9W | 20 | ME 460MI12 | 52 | ME 520C9W | 22 | ME 560R5W-L | 14 |
| ME 420R12W | 12 | ME 460MI5 | 52 | ME 520C9W | 22 | ME 560R6W-L | 14 |
| ME 420R12W-L | 12 | ME 460MI7 | 52 | ME 520CAP | 73 | ME 560R6W-L | 25 |
| ME 420R5W | 12 | ME 460MI9 | 52 | ME 520CAP | 73 | ME 560R7W | 14 |
| ME 420R5W-L | 12 | ME 460MICB7-6 | 55 | ME 520HMI9 | 56 | ME 560R7W-L | 14 |
| ME 420R6W | 12 | ME 460MICB9-10 | 55 | ME 520MI5 | 52 | ME 560R9W | 14 |
| ME 420R6W-L | 12 | ME 460MIF12 | 53 | ME 520MI7 | 52 | ME 560R9W-L | 14 |
| ME 420R7W | 12 | ME 460MIF5 | 53 | ME 520MI9 | 52 | ME 6034NM | 72 |
| ME 420R7W-L | 12 | ME 460MIF7 | 53 | ME 520MICB7-10 | 55 | ME 60CAP | 73 |
| ME 420R9W | 12 | ME 460MIF7-JW | 55 | ME 520MICB9-10 | 55 | ME 60FDAUX | 53, 61, 64 |
| ME 420R9W-L | 12 | ME 460MIF9 | 53 | ME 520MIF5-JW | 55 | ME 60FDS3A | 61 |
| ME 420SLPMI12 | 57 | ME 460MIF9-JW | 55 | ME 520MIF7-JW | 55 | ME 60MIFX | 53 |
| ME 420SLPMI5 | 57 | ME 460P12W | 21 | ME 520MIF9-JW | 55 | ME 60MIX | 52 |
| ME 420SLPMI7 | 57 | ME 460P5W | 21 | ME 520P5W | 20 | ME 60SLP2A-M2 | 62 |
| ME 420SLPMI9 | 57 | ME 460P6W | 21 | ME 520P5W | 20 | ME 60ST2A-M2 | 63 |
| ME 430B12W | 17 | ME 460P6W-62334C | 25 | ME 520P6W | 20 | ME 60STF1A | 64 |
| ME 430B5W | 17 | ME 460P7W | 21 | ME 520P7W | 20 | ME 60XFDJSJ | 61 |
| ME 430B6W | 17 | ME 460P9W | 21 | ME 520P7W | 20 | ME 60XSLP-M2 | 62 |
| ME 430B7W | 17 | ME 460R12W | 14 | ME 520P9W | 20 | ME 60XST2-M2 | 63 |
| ME 430B9W | 17 | ME 460R12W-L | 14 | ME 520P9W | 20 | ME 60XSTF | 64 |
| ME 430C12W | 22 | ME 460R5W | 14 | ME 520R5W | 12 | ME 80AUX | 52, 54, 60, 63, 74 |
| ME 430C5W | 22 | ME 460R5W-L | 14 | ME 520R5W | 13 | ME 80MS2A-M2 | 60 |
| ME 430C6W | 22 | ME 460R6W-L | 14 | ME 520R5W-L | 12 | ME 80MS2A-M2PSX | 60 |
| ME 430C6W | 25 | ME 460R6W-L | 25 | ME 520R5W-L | 13 | ME 80XMS1-M2 | 60 |
| ME 430C7W | 22 | ME 460R7W | 14 | ME 520R6W | 12 | ME 80XMS2-M2 | 74 |
| ME 430C9W | 22 | ME 460R7W-L | 14 | ME 520R6W-L | 12 | ME 100SLP3A-M2 | 62 |
| ME 430MI12 | 52 | ME 460R9W | 14 | ME 520R7W | 12 | ME 100SLP4A-M2 | 62 |
| ME 430MI5 | 52 | ME 460R9W-L | 14 | ME 520R7W | 13 | ME 100XSLP-M2 | 62 |
| ME 430MI7 | 52 | ME 5100B5W | 19 | ME 520R7W-L | 12 | ME MS1-RC | 74 |
| ME 430MI9 | 52 | ME 5100B5W-L | 19 | ME 520R7W-L | 13 | ME MS2MF | 74 |
| ME 430MICB7-6 | 55 | ME 5100B6W-L | 19 | ME 520R9W | 12 | ME MS2-RC | 74 |
| ME 430MICB9-10 | 55 | ME 5100B7W | 19 | ME 520R9W | 13 | ME MS4-RC | 74 |
| ME 430MIF12 | 53 | ME 5100B7W-L | 19 | ME 520R9W-L | 12 | ME MS5-RC | 74 |
| ME 430MIF5 | 53 | ME 5100B9R | 26 | ME 520R9W-L | 13 | ME PG1 | 73 |
| ME 430MIF7 | 53 | ME 5100B9R-L | 26 | ME 520SLPMI5 | 57 | ME ST1-RH | 63 |
| ME 430MIF9 | 53 | ME 5100B9W | 19 | ME 520SLPMI5 | 57 | ME ST2-RH | 63 |
| ME 430MIF9-JW | 55 | ME 5100B9W-L | 19 | ME 520SLPMI7 | 57 | MSR 430MIF52W | 70 |
| ME 430MIF9-JW | 55 | ME 5100C5W | 23 | ME 520SLPMI7 | 57 | MSR 430MIS2W | 71 |
| ME 430P12W | 20 | ME 5100C6W | 23 | ME 520SLPMI9 | 57 | MSR 460MIF52W | 70 |
| ME 430P5W | 20 | ME 5100C6W | 25 | ME 520SLPMI9 | 57 | MSR 460MIS2W | 71 |
| ME 430P6W | 20 | ME 5100C7W | 23 | ME 530B6W | 17 | SLP1A-BLK | 67 |
| ME 430P6W | 25 | ME 5100C9M | 27 | ME 530C6W | 22 | SLP2A-BLK | 67 |
| ME 430P7W | 20 | ME 5100C9R | 26 | ME 530C6W | 25 | SLP3A-BLK | 67 |
| ME 430P9W | 20 | ME 5100C9W | 23 | ME 530P6W | 20 | SLPB1A | 67 |
| ME 430R12W | 13 | ME 5100MI5 | 54 | ME 530P6W | 25 | SLPB1A-30.5 | 67 |
| ME 430R12W-L | 13 | ME 5100MI7 | 54 | ME 530R6W | 13 | SLPB2A | 67 |
| ME 430R5W | 13 | ME 5100MI9 | 54 | ME 530R6W-L | 13 | SLPB2A-30.5 | 67 |
| ME 430R5W-L | 13 | ME 5100P5W | 21 | ME 530R6W-L | 25 | SLPB3A | 67 |
| ME 430R6W | 13 | ME 5100P6W | 20 | ME 560B5W | 18 | SLPB3A-30.5 | 67 |
| ME 430R6W-L | 13 | ME 5100P6W-62357C | 25 | ME 560B5W-L | 18 | SLPB4A | 67 |
| ME 430R6W-L | 25 | ME 5100P7W | 21 | ME 560B6W-L | 18 | SLPB4A-30.5 | 67 |
| ME 430R7W | 13 | ME 5100P9M | 27 | ME 560B7W | 18 | SLPMI-BLK | 67 |
| ME 430R7W-L | 13 | ME 5100P9W | 21 | ME 560B7W-L | 18 | | |
| ME 430R9W | 13 | ME 5100R5W | 15 | ME 560B9W | 18 | | |
| ME 430R9W-L | 13 | ME 5100R5W-L | 15 | ME 560B9W-L | 18 | | |
| ME 430SLPMI12 | 57 | ME 5100R6W-L | 15 | ME 560C5W | 23 | | |
| ME 430SLPMI5 | 57 | ME 5100R6W-L | 25 | ME 560C6W | 23 | | |
| ME 430SLPMI7 | 57 | ME 5100R7W | 15 | ME 560C7W | 23 | | |
| ME 430SLPMI9 | 57 | ME 5100R7W-L | 15 | ME 560C9W | 23 | | |
| ME 432SLPMI3 | 57 | ME 5100R9M | 27 | ME 560MI5 | 52 | | |
| ME 460B12W | 18 | ME 5100R9M-L | 27 | ME 560MI7 | 52 | | |
| ME 460B12W-L | 18 | ME 5100R9W | 15 | ME 560MI9 | 52 | | |
| ME 460B5W | 18 | ME 5100R9W-L | 15 | ME 560MICB7-6 | 55 | | |
| ME 460B5W-L | 18 | ME 520B5W | 16 | ME 560MICB9-10 | 55 | | |
| ME 460B6W-L | 18 | ME 520B5W | 17 | ME 560MIF5 | 53 | | |
| ME 460B7W | 18 | ME 520B6W | 16 | ME 560MIF7 | 53 | | |
| ME 460B7W-L | 18 | ME 520B7W | 16 | ME 560MIF7-JW | 55 | | |
| ME 460B9W | 18 | ME 520B7W | 17 | ME 560MIF9 | 53 | | |
| ME 460B9W-L | 18 | ME 520B9W | 16 | ME 560MIF9-JW | 55 | | |
| ME 460C12W | 23 | ME 520B9W | 17 | ME 560P5W | 21 | | |
| ME 460C5W | 23 | ME 520C5W | 22 | ME 560P6W | 20 | | |
| ME 460C6W | 23 | ME 520C5W | 22 | ME 560P6W-62335C | 25 | | |
| ME 460C6W | 25 | ME 520C6W | 22 | ME 560P7W | 21 | | |



MENNEKES®

Plugs for the world

Refer to our brochures and catalogs to keep up to date.
Download the latest versions from our website in practical
PDF format or request print copies by phone or E-Mail.



North American Headquarters:

MENNEKES Electrical Products

277 Fairfield Road
USA-Fairfield, N.J. 07004
Tel. 800-882-7584
Fax 973-882-5585
E-Mail info@MENNEKES.com
Internet www.MENNEKES.com

Worldwide Headquarters:

MENNEKES

Elektrotechnik GmbH & Co. KG

Industrial plugs and receptacles

Aloys-Mennekes-Str. 1
D-57399 Kirchhundem
Tel. +49 (0) 27 23 / 41-1
Fax +49 (0) 27 23 / 41-2 14
E-Mail info@MENNEKES.de
Internet www.MENNEKES.de

Plant Neudorf:

MENNEKES

Elektrotechnik Sachsen GmbH

MENNEKES Straße 1
D-09465 Neudorf / Erzgebirge
Tel. +49 (0) 3 73 42 / 8 62-0
Fax +49 (0) 3 73 42 / 8 62-38
E-Mail info@MENNEKES-Sachsen.de

For further information, please visit our homepage:

www.MENNEKES.com

Request brochures by phone at:

800-882-7584

Request brochures by E-Mail to:

info@MENNEKES.com

Service by
MENNEKES®.
Always well
informed.